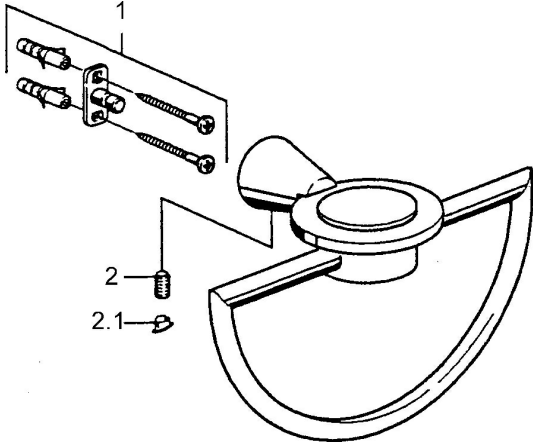


EAN: 4015474023543  
[static.hansa.com/5131090074](http://static.hansa.com/5131090074)

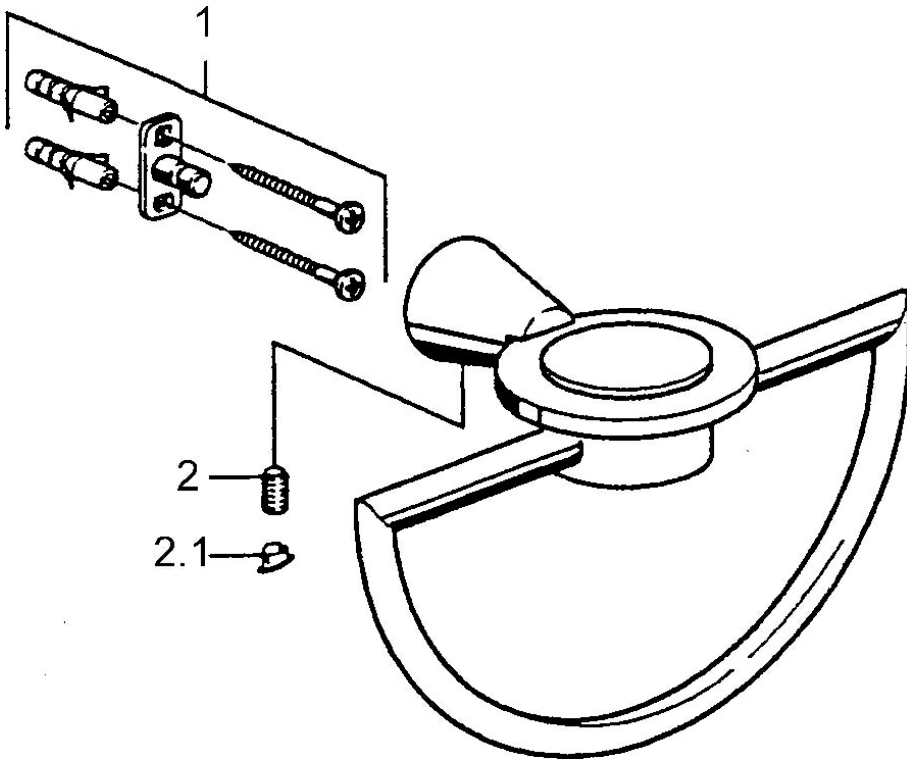


- Bathroom
- Accessories

- Wall mounted

## Technical data

## Spare parts



### SP51310900

	Name	Code
1	Fixing set Discontinued	59912081
2	Pin, M5x8 Discontinued	59912082
2.1	Cover plug Discontinued	59912083