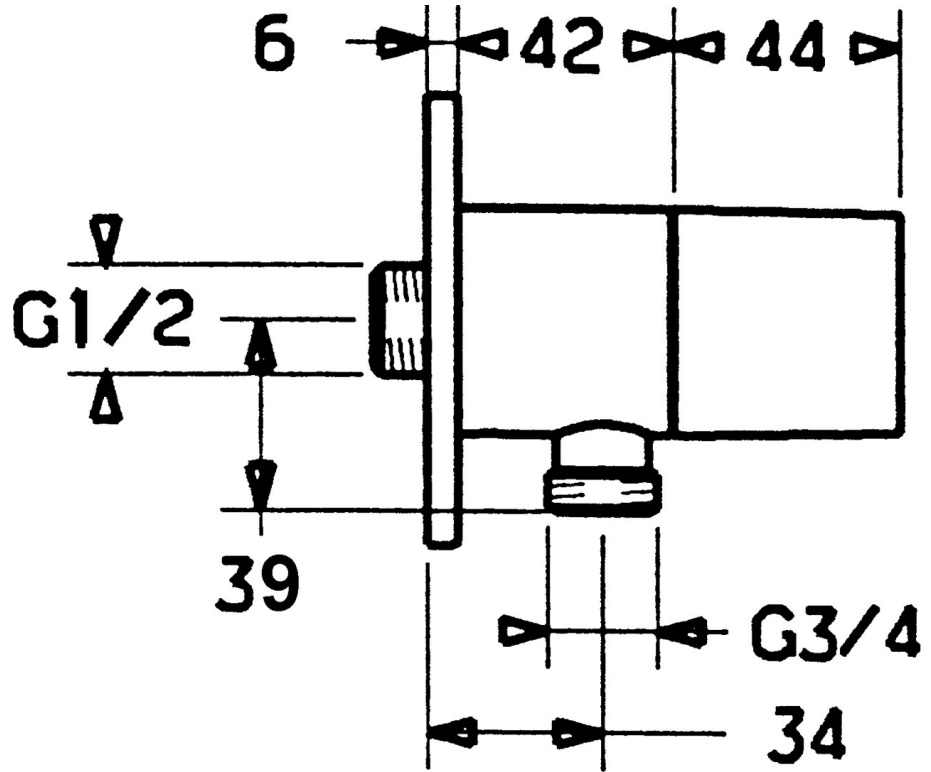


EAN: 4015474035126
static.hansa.com/5122020274

- Shower solutions
- Wall mounted
- Flow control handle
- Non-return valve(s)

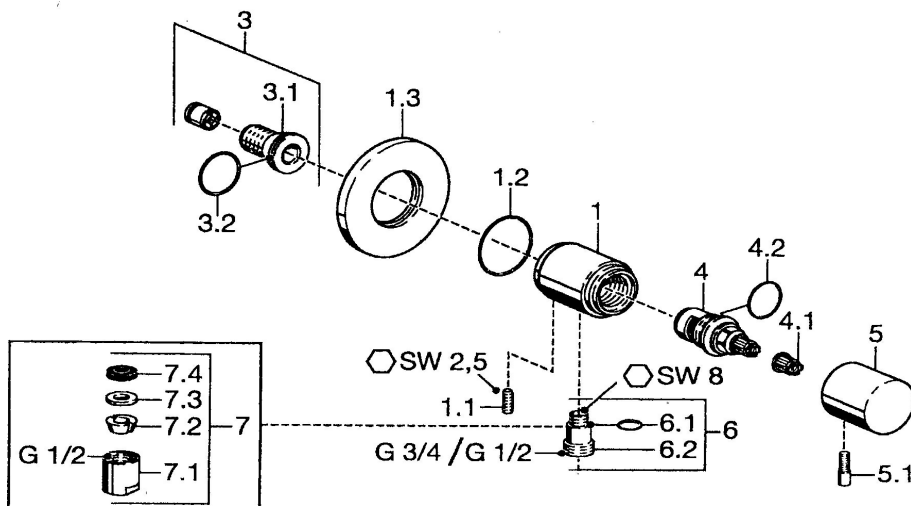


Technical data

Technical properties

Hot water supply	max. +80°C
Working pressure	0.5-10 bar
Backflow prevention (EN1717)	EB

Spare parts



SP51220102

	Name	Code
1.1	Screw, M6x9 Discontinued	59911237
1.3	Cover flange Discontinued	59912134
2	Non-return valve	59905714
3	Connection nipple, G1/2	59911229
3.2	O-ring, d 25x2.5	59905053
4	Headpart, G1/2, 180°	59911103
4.1	Adapter White	59910235
5	Flow control handle	59912095
5.1	Lever, L=10 Discontinued	59912096
6	Connector	59906277
5.1.1	O-ring, d 11x1.5 Discontinued	59911253