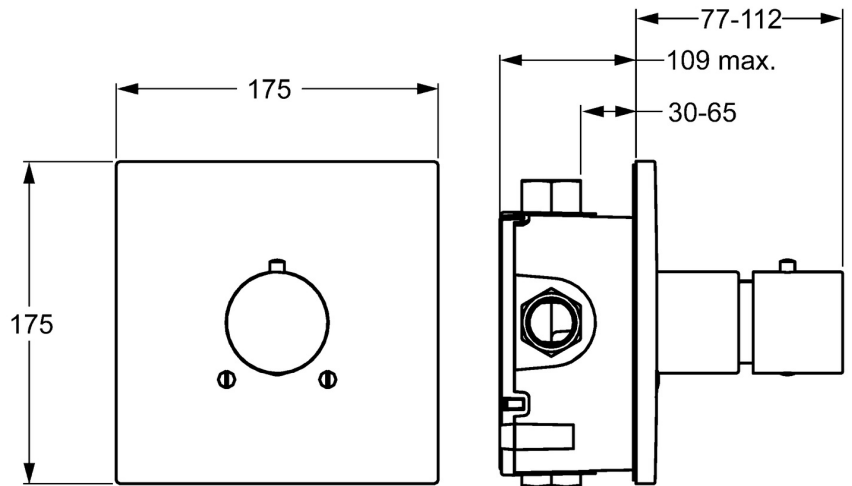
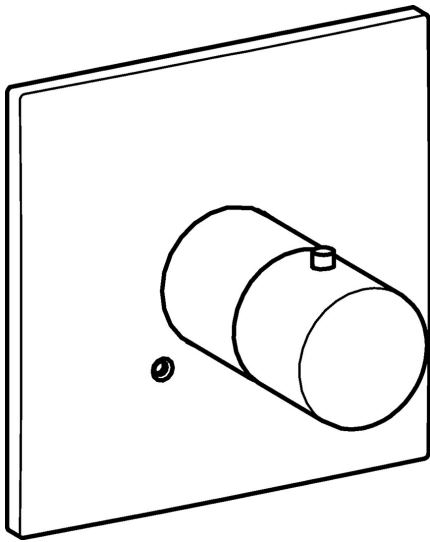


EAN: 4015474188655  
[static.hansa.com/51129172](https://static.hansa.com/51129172)



- Bathtub & Shower
- Trim Kit, Thermostatic
- Concealed wall mounting
- Chrome
- Temperature control handle
- Safety stop against scalding at 38°C
- Thermostatic cartridge for automatic temperature control
- Square rosette, Sleeve, Cover plate fixed with screws
- Without flow control, Without diverter



## Technical data

### Technical properties

DN-size (nominal dimension)	<b>DN20</b>
Hot water supply	<b>max. +80°C</b>
Working pressure	<b>1-10 bar</b>

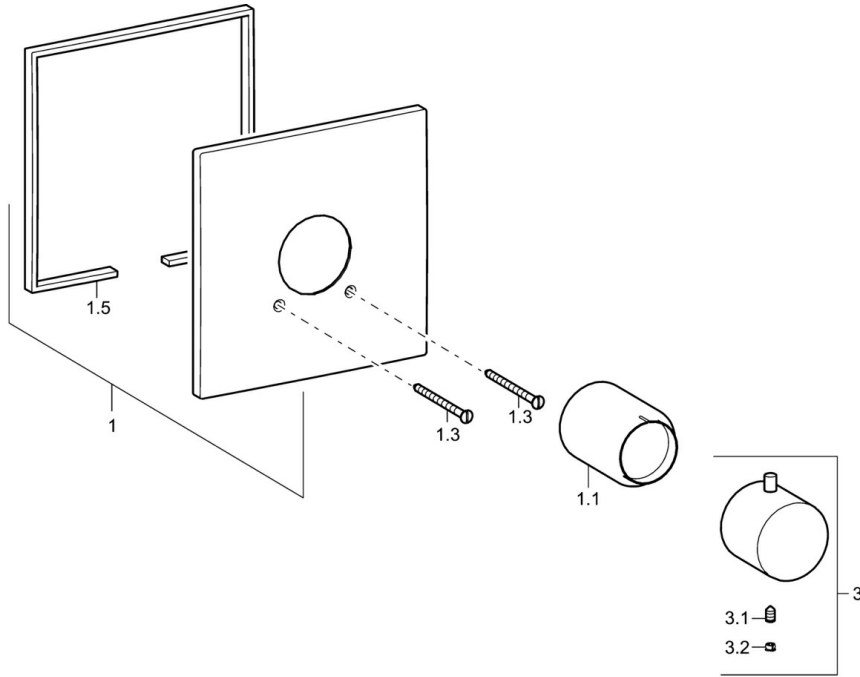
### Regulations

EN standard	<b>EN 1111</b>
Noise class	<b>II (ISO 3822)</b>

### Approvals and Declarations

Declaration of conformity	<b>DoC</b>
---------------------------	------------

## Spare parts



### SP51129172

	Name	Code
1	Cover flange, 175x175 Discontinued	59913496
1.1	Covering cap Discontinued	59912540
1.3	Screw, M5x65	59904847
3	Temperature control handle, (2011-)	59913497
3.1	Screw, M6x9.5	59901609
3.2	Cover plug	59911840
N.I.	Raising kit, 35 mm	59912459