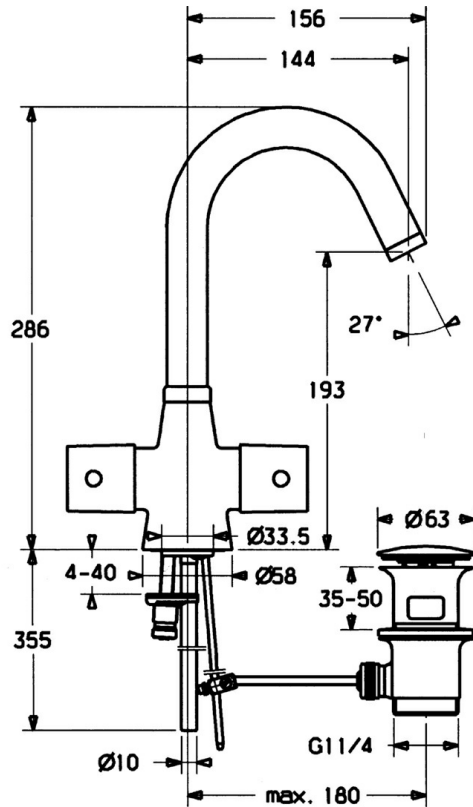


EAN: 4015474022836
static.hansa.com/5107210274

- Washbasin
- Two-grip
- Deck mounted
- Swivel spout
- Flow control handle
- Non-return valve(s)



Technical data

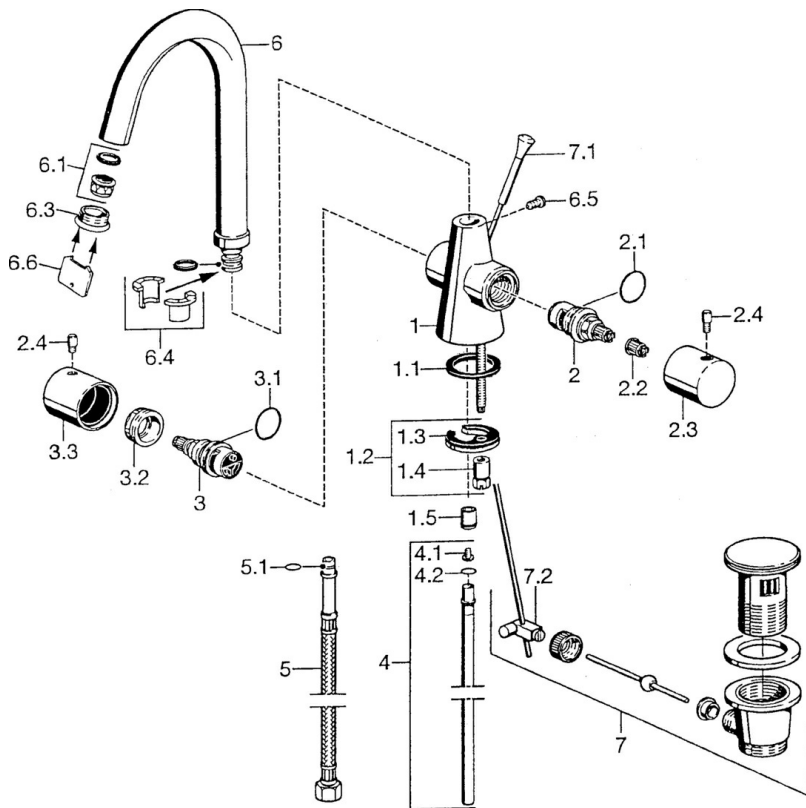
Technical properties

Hot water supply	max. +80°C
Working pressure	0.5-10 bar
Backflow prevention (EN1717)	EB
Material	Brass

Approvals and Declarations

Declaration of conformity	DoC
---------------------------	-----

Spare parts



SP51072102

	Name	Code
1.1	Gasket, 37x48x3.5	59911422
1.2	Fixing set	59910749
1.3	Fixing plate	59904765
1.4	Screw, M8x1, SW13	59904766
1.5	Non-return valve	59911674
2	Headpart, G3/4, 180°	59910383
2.1	O-ring, 23x1.78	59910693
2.2	Adapter White	59910235
2.3	Flow control handle	59912095
2.4	Lever, L=10 Discontinued	59912096
3	Valve	59912098
3.1	O-ring, 23x1.78	59910693
3.2	Screw, M32x1, SW27 Discontinued	59912099
3.3	Handle Discontinued	59912100
4	Pipe, d 10 mm, L=413	59911423
4.1	Attachment clamp Discontinued	59911416
4.2	O-ring, 9x2	59905095
5	Flexible pipe, L=370, G3/8 Discontinued	59911626
5.1	O-ring, d 6.75x1.78	59902351
6.1	Aerator, M22/24 A	59902081
6.3	Aerator, M24x1, (-2002) Discontinued	59912011
6.4	Sealing kit	59911884
6.5	Screw, M4x7	59902075
7	Pop-up waste	59911441
7.1	Pop-up operating rod Discontinued	59911887
7.2	Swivel joint	59904624