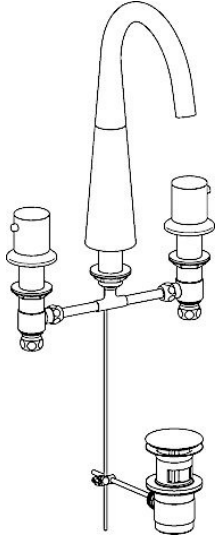


EAN: 4015474182004  
[static.hansa.com/51052177](https://static.hansa.com/51052177)

- Washbasin
- Two-grip
- Deck mounted
- Chrome
- Hidden aerator
- Hot/Cold symbols
- Pop-up waste with draw-rod
- Ceramic head part for flow control
- Inner body made of DZR brass

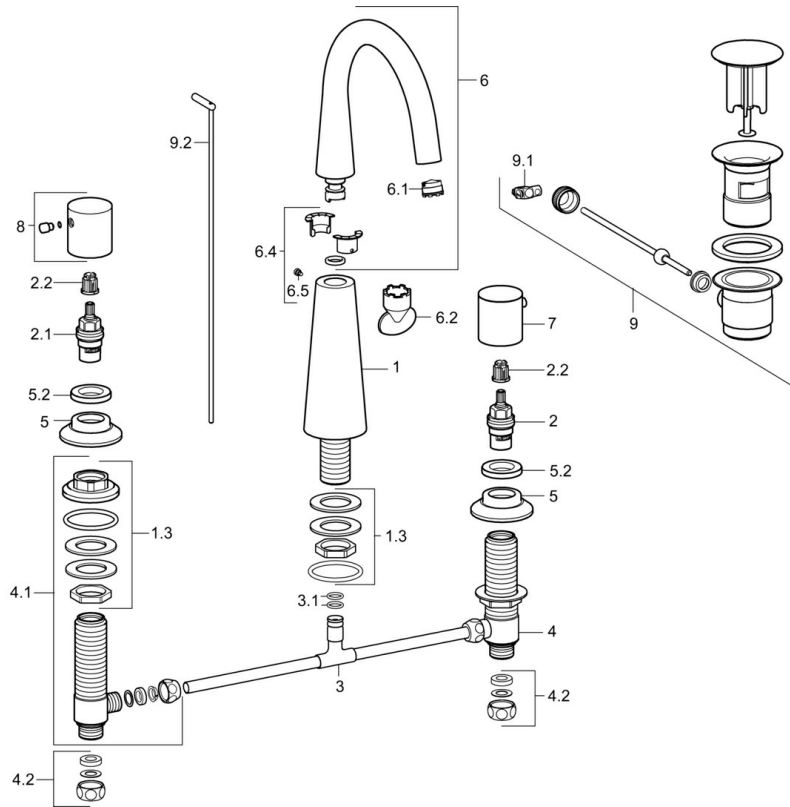


## Technical data

### Technical properties

Hot water supply	<b>max. +80°C</b>
Working pressure	<b>0.5-10 bar</b>

## Spare parts



### SP51052173

	Name	Code
1.3	Screw sleeve Discontinued	59913454
2	Headpart, G1/2	59913457
2.1	Headpart, G1/2, SW17	59913224
2.2	Adapter White	59910235
3	T-connector	59910687
3.1	O-ring, d 11x2 Discontinued	59910686
4	Valve, G1/2xG1/2 Discontinued	59913453
4.1	Valve, G1/2xG1/2 Discontinued	59913455
4.2	Sealing kit Discontinued	59910707
5	Cover flange, d 55 mm	59913443
5.2	Tightening nut, d35.5xM24x1	59912023
6	Spout	59913456
6.1	Aerator, M18.5x1, TJ	59913366
6.2	Key for aerator, M18.5	59913367
6.4	Sealing kit	59911884
6.5	Screw, M4x7	59902075
7	Handle, COLD	59913337
8	Handle, HOT	59913336
9	Pop-up waste	59911441
9.1	Swivel joint	59904624
9.2	Pop-up operating rod	59913459