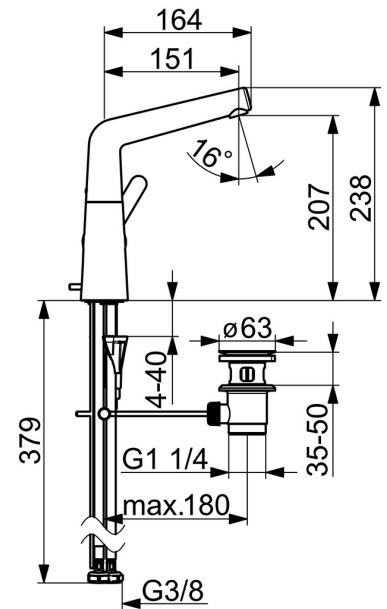
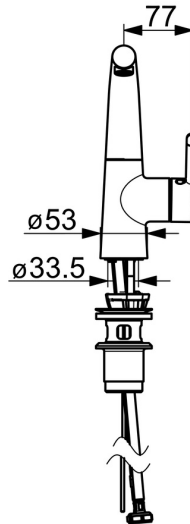
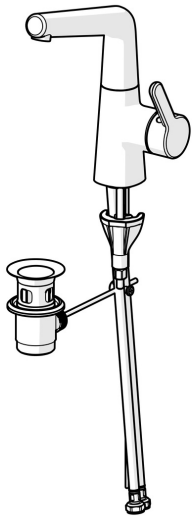


EAN: 4057304006388
static.hansa.com/51032283



one-hole single-lever basin mixer, DN 15

- Washbasin
- Single-lever, side operated
- Deck mounted
- Chrome
- Swivel spout, Swivel range limiting option
- PCA® - constant flow rate regardless of pressure variations, Hidden aerator
- Hot/Cold symbols, Single operating lever/handle
- Pop-up waste with draw-rod
- \varnothing 40 mm ceramic cartridge for flow and temperature control
- Flexible inlet pipes
- Inner body made of DZR brass, 3S-installation system for safe and simple mounting



Technical data

Flow properties

Flow-rate at 3 bar (with flow controller)	6.0 l/min
Pressure loss with flow (0.1 l/s)	1 bar

Technical properties

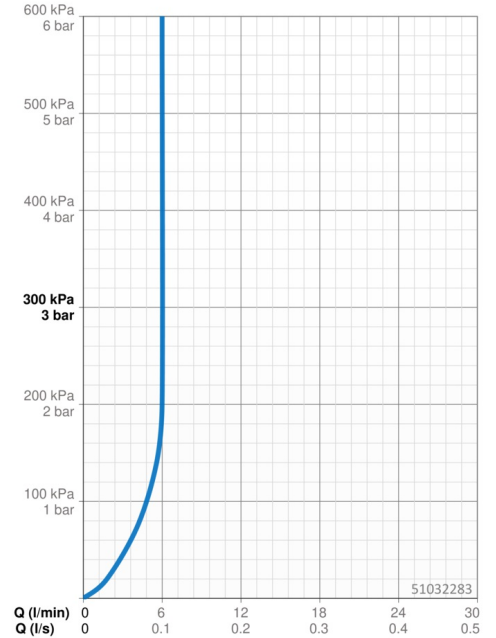
DN-size (nominal dimension)	DN15
Hot water supply	max. +70°C
Working pressure	0.5-10 bar
Connection size	G3/8
Projection	151 mm
Backflow prevention (EN1717)	AA
Material	Brass

Regulations

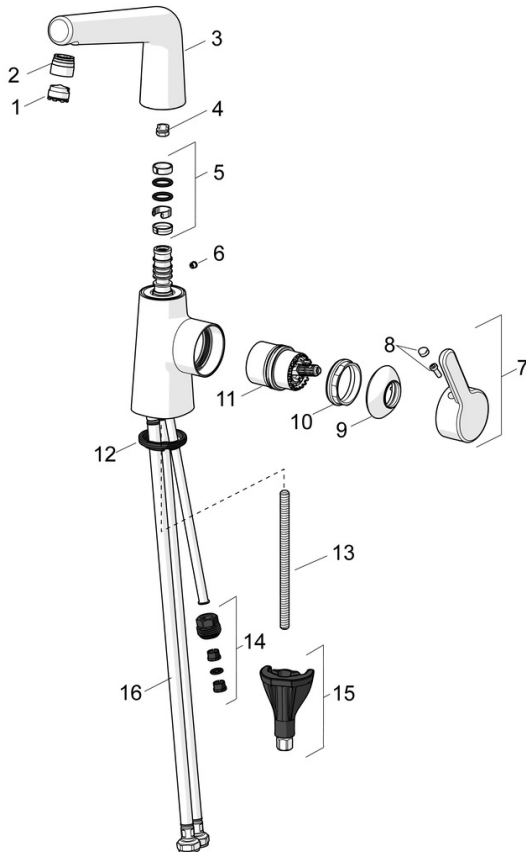
EN standard	EN 817
Noise class	I (ISO 3822)

Approvals and Declarations

DVGW	DW-6506DL0547
Declaration of conformity	DoC



Spare parts



SP51032283

	Name	Code
01	Aerator, M18.5x1, TJ	59913366
02	Fitting ring for aerator	59914645
03	Spout	1013094V
03	Spout Discontinued	59914651
04	Spout overturning stopper, 60° /0°	59914264
04	Spout overturning stopper, 120° Discontinued	59914429
05	Sealing kit	59914263
06	Cover plug	59913762
07	Lever	59914652
08	Symbol plug	59914573
09	Covering cap	59914649
10	Tightening nut, M42x1.5, SW 38	59914128
11	Cartridge	59914665
12	Bottom seal	59914591
13	Fixing screw, M8x1, L=130	59914474
14	Nipple Discontinued	59914133
15	Fixing set	59914475
16	Flexible pipe, L=430, G3/8-M10x1, DN8 LH	59914653
N.I.	Pop-up waste	59911441
N.I.	Pop-up operating rod	59913459