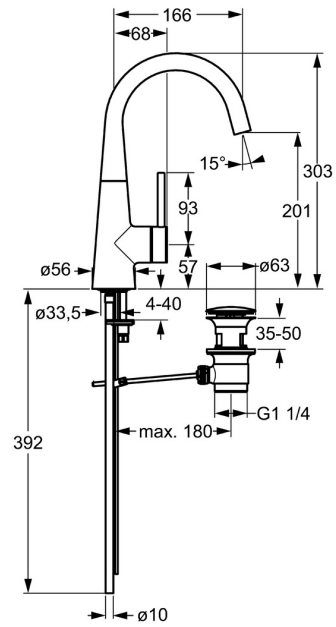
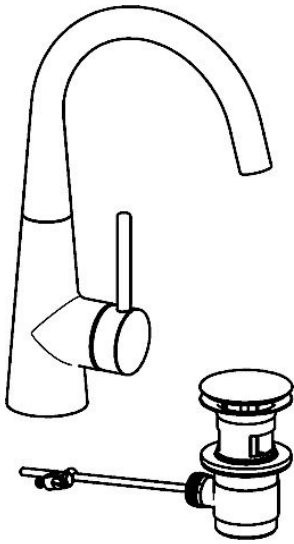


EAN: 4015474171794  
[static.hansa.com/51032173](https://static.hansa.com/51032173)



- Washbasin
- Single-lever, side operated
- Deck mounted
- Chrome
- Swivel spout
- PCA® - constant flow rate regardless of pressure variations, Hidden aerator
- Pin shape, Hot/Cold symbols, Single operating lever/handle
- Pop-up waste with draw-rod
- Limitation option for maximum temperature and flow-rate, Adjustable hot water stop (included, retrofittable)
- ø 35 mm ceramic cartridge for flow and temperature control
- Copper inlet pipes
- Inner body made of DZR brass



## Technical data

### Flow properties

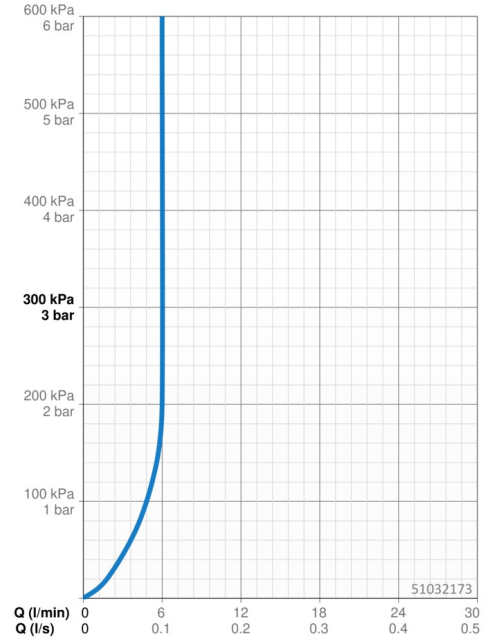
Flow-rate at 3 bar (with flow controller) **6.0 l/min**

### Technical properties

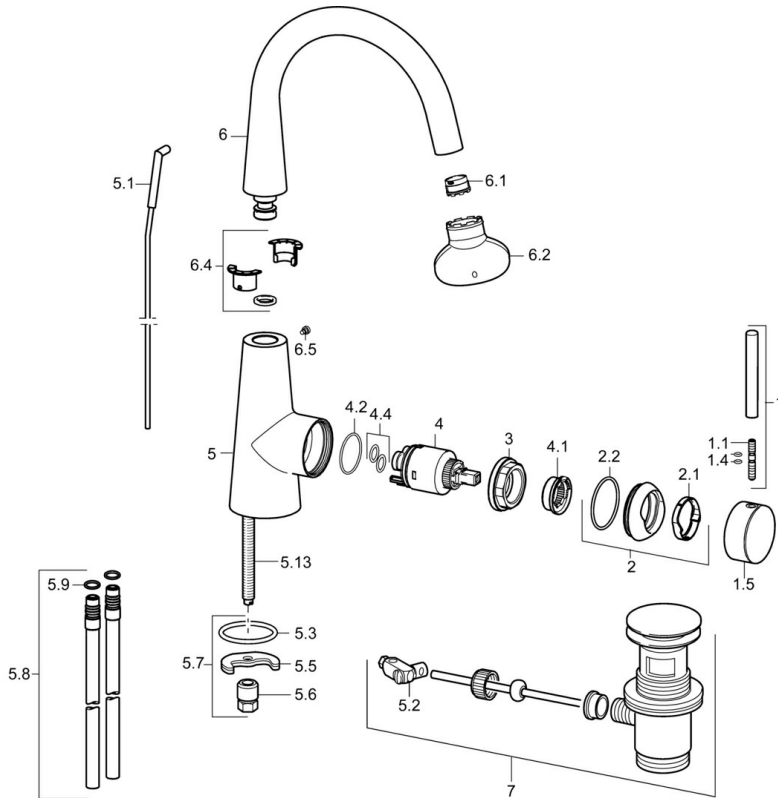
DN-size (nominal dimension) **DN15**  
 Hot water supply **max. +80°C**  
 Working pressure **0.5-10 bar**  
 Connection size **Ø10**  
 Projection **166 mm**  
 Material **Brass**

### Regulations

EN standard **EN 817**



## Spare parts



### SP51032173

|      | Name                              | Code     |
|------|-----------------------------------|----------|
| 1    | Lever, 70 mm                      | 59913331 |
| 1.1  | Screw, M5x35                      | 59913299 |
| 1.4  | O-ring, d 3x1.5                   | 59913100 |
| 1.5  | Cap                               | 59913328 |
| 1.5  | Cap Black Discontinued            | 59913329 |
| 1.5  | Cap White Discontinued            | 59913330 |
| 2    | Covering cap                      | 59913364 |
| 2.1  | Bearing ring                      | 59913363 |
| 2.2  | O-ring, d 38x2                    | 59913212 |
| 3    | Screw, M42x1, SW34                | 59913365 |
| 4    | Cartridge, 3.5 Eco                | 59912324 |
| 4    | Cartridge, 3.5 Classic            | 59913075 |
| 4.1  | Temperature adjustment limiter    | 59912325 |
| 4.2  | O-ring, d 28.24x2.62 Discontinued | 59912590 |
| 4.4  | O-ring, d 10.10x1.60 Discontinued | 59905072 |
| 5.1  | Lever for pop-up waste            | 59913362 |
| 5.2  | Swivel joint                      | 59904624 |
| 5.3  | O-ring, d 36.09x d 3.53           | 59913396 |
| 5.5  | Fixing plate                      | 59904765 |
| 5.6  | Screw, M8x1, SW13                 | 59904766 |
| 5.7  | Fixing set                        | 59910749 |
| 5.8  | Coupling pipe, L=430, M10x1       | 59912550 |
| 5.9  | O-ring, 9x2                       | 59905095 |
| 5.13 | Fixing screw, M8x1, L=140         | 59912474 |
| 6    | Spout                             | 59913456 |
| 6.1  | Aerator, M18.5x1, TJ              | 59913366 |
| 6.2  | Key for aerator, M18.5            | 59913367 |
| 6.4  | Sealing kit                       | 59911884 |
| 6.5  | Screw, M4x7                       | 59902075 |
| 7    | Pop-up waste                      | 59911441 |
| N.I. | Key, SW30/34                      | 59912108 |
| N.I. | Flexible pipe, L=500, G3/8-M10x1  | 59911767 |