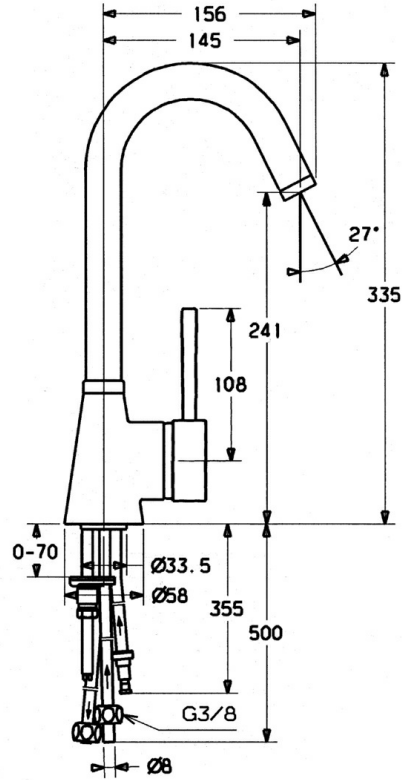


EAN: 4015474032545
static.hansa.com/5102110197

- Kitchen
- Single-lever, side operated
- Deck mounted
- Single operating lever/handle, Hot/Cold symbols



Technical data

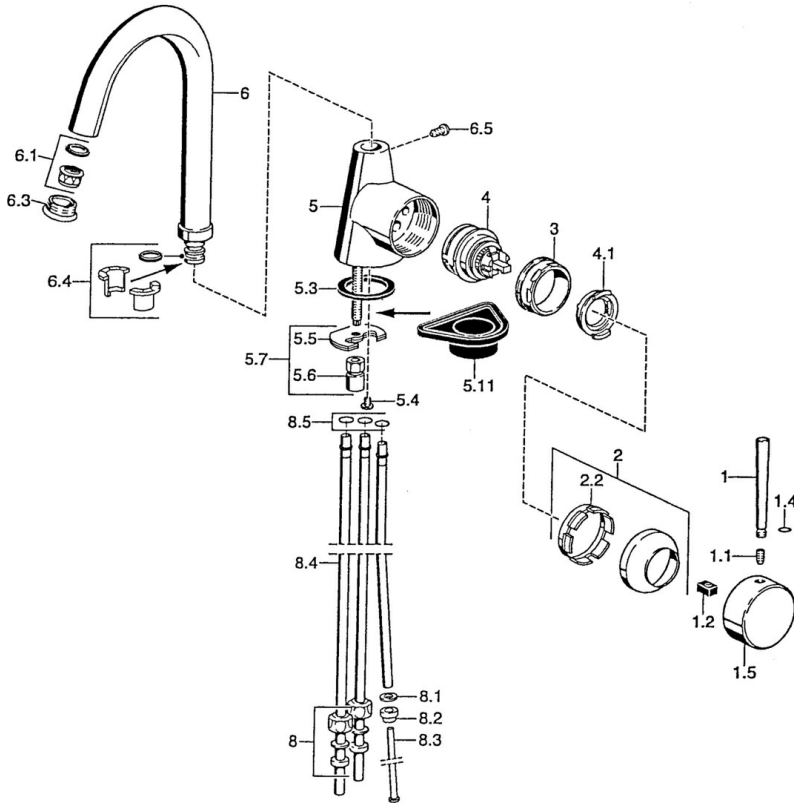
Technical properties

| | |
|------------------------------|-------------------|
| Hot water supply | max. +80°C |
| Working pressure | 0.5-5 bar |
| Backflow prevention (EN1717) | AA |
| Material | Brass |

Regulations

| | |
|-------------|---------------|
| EN standard | EN 817 |
|-------------|---------------|

Spare parts



SP51021101

| | Name | Code |
|------|--------------------------------------|----------|
| 1 | Lever, 80 mm Discontinued | 59912122 |
| 1 | Lever, L=60 Blue Discontinued | 59912148 |
| 1 | Lever, 60 mm Discontinued | 59911882 |
| 1.1 | Screw, M5x8, SW2.5 | 59904755 |
| 1.2 | Bushing | 59904778 |
| 1.4 | O-ring, d 6x1 | 59912136 |
| 1.5 | Cap Discontinued | 59911885 |
| 2 | Covering cap | 59906563 |
| 2.2 | Fixing sleeve | 59906695 |
| 3 | Eye screw, M50x1, SW45 | 59904775 |
| 4 | Cartridge, 4.8 eco | 59904601 |
| 4.1 | Hot water limiter | 59904759 |
| 5.3 | Gasket, 37x48x3.5 | 59911422 |
| 5.4 | Attachment clamp Discontinued | 59911416 |
| 5.5 | Fixing plate | 59904765 |
| 5.6 | Screw, M8x1, SW13 | 59904766 |
| 5.7 | Fixing set | 59910749 |
| 5.11 | Supporting plate | 59910008 |
| 6 | Spout Discontinued | 59911881 |
| 6.1 | Aerator, M22/24, ND | 59901553 |
| 6.3 | Aerator, M24x1, (-2002) Discontinued | 59912011 |
| 6.4 | Sealing kit | 59911884 |
| 6.5 | Screw, M4x7 | 59902075 |
| 8 | Fitting nut | 59904969 |
| 8.1 | Sealing kit, 14.9x8.5x1 | 59902352 |
| 8.2 | Sealing kit, 10x8 | 59902272 |
| 8.3 | Hose | 59902151 |
| 8.4 | Pipe, 8x530 Discontinued | 59911895 |