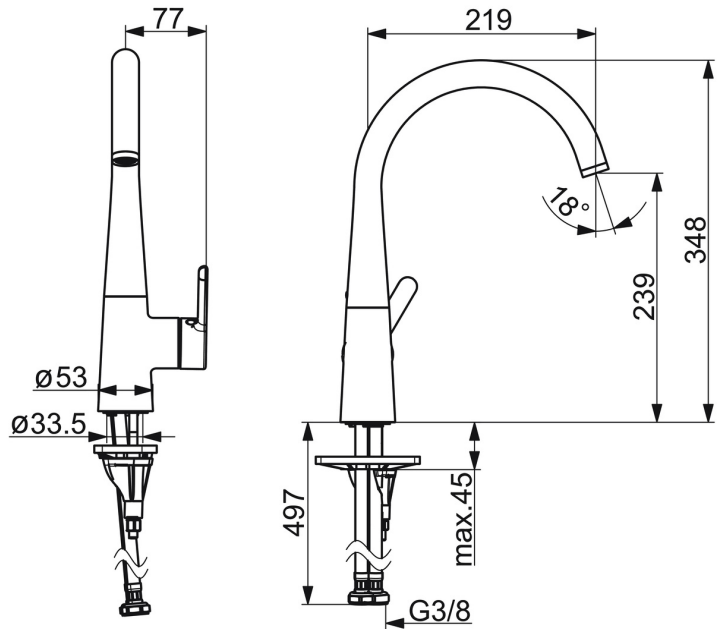
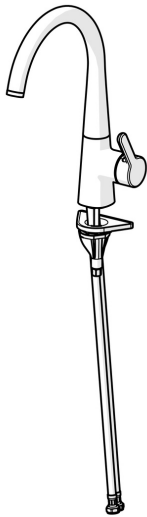


EAN: 4057304007033
static.hansa.com/51012283



single-lever kitchen mixer, DN 15

- Kitchen
- Single-lever, side operated
- Deck mounted
- Chrome
- Swivel spout, Swivel range limiting option
- Standard aerator
- Hot/Cold symbols, Single operating lever/handle
- Limitation option for maximum temperature and flow-rate
- \varnothing 40 mm ceramic cartridge for flow and temperature control
- Flexible inlet pipes
- 3S-installation system for safe and simple mounting



Technical data

Flow properties

Flow-rate at 3 bar	12.0 l/min
Pressure loss with flow (0.2 l/s)	3 bar

Technical properties

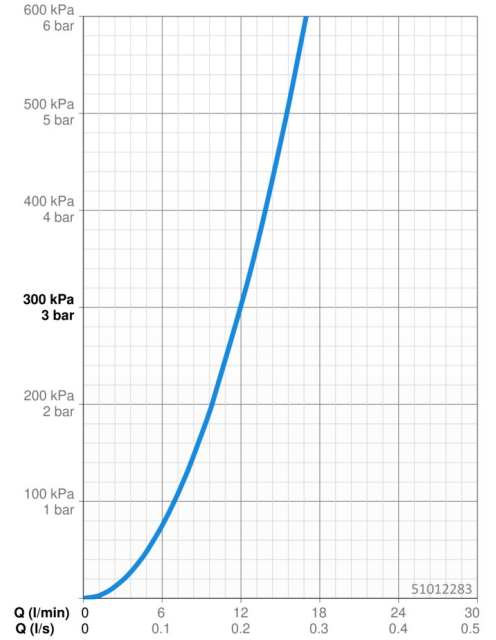
DN-size (nominal dimension)	DN15
Hot water supply	max. +70°C
Working pressure	0.5-10 bar
Connection size	G3/8
Projection	219 mm
Backflow prevention (EN1717)	AA
Material	Brass

Regulations

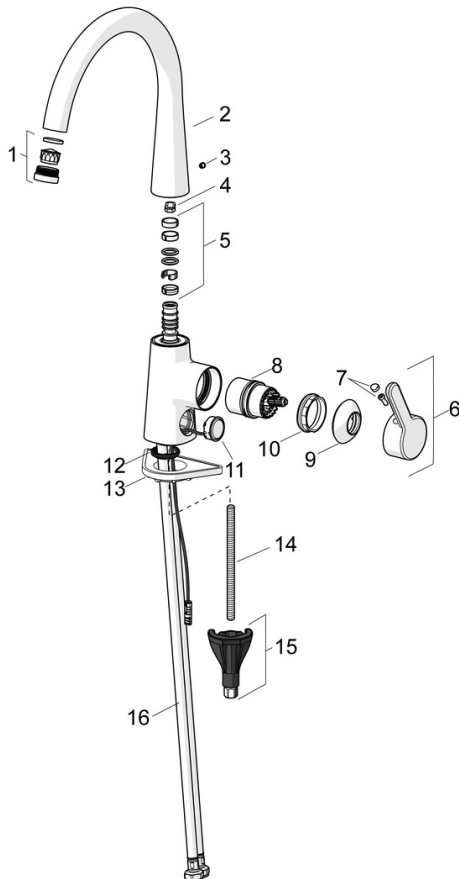
EN standard	EN 817
Noise class	I (ISO 3822)

Approvals and Declarations

DVGW	DW-6506DL0547
Declaration of conformity	DoC
EPD	S-P-06396



Spare parts



SP51012283

	Name	Code
01	Aerator and key, M24x1, (2002-)	59912225
02	High spout	1013087V
02	Spout Discontinued	59914683
03	Cover plug	59913762
04	Spout overturning stopper, 60° / 0°	59914264
04	Spout overturning stopper, 120° Discontinued	59914429
05	Sealing kit for spout	59914431
06	Lever	59914652
07	Symbol plug	59914573
08	Cartridge	59914665
09	Covering cap	59914649
10	Tightening nut, M42x1.5, SW 38	59914128
11	Push button, 3 V	1004296V
12	Bottom seal	59914591
13	Supporting plate	59910008
14	Fixing screw, M8x1, L=130	59914474
15	Fixing set	59914475
16	Flexible pipe, L=550, G3/8-M10x1 LH Discontinued	59914685
16	Flexible pipe, L=550, G1/2-M10x1 LH, DN6 Discontinued	59914686