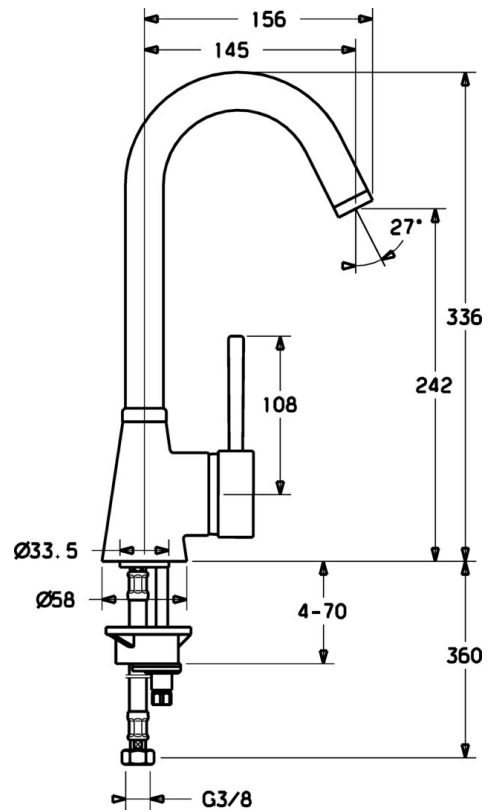


EAN: 4015474032682  
[static.hansa.com/51012201](http://static.hansa.com/51012201)



- Kitchen
- Single-lever, side operated
- Deck mounted
- Chrome
- Single operating lever/handle, Hot/Cold symbols



## Technical data

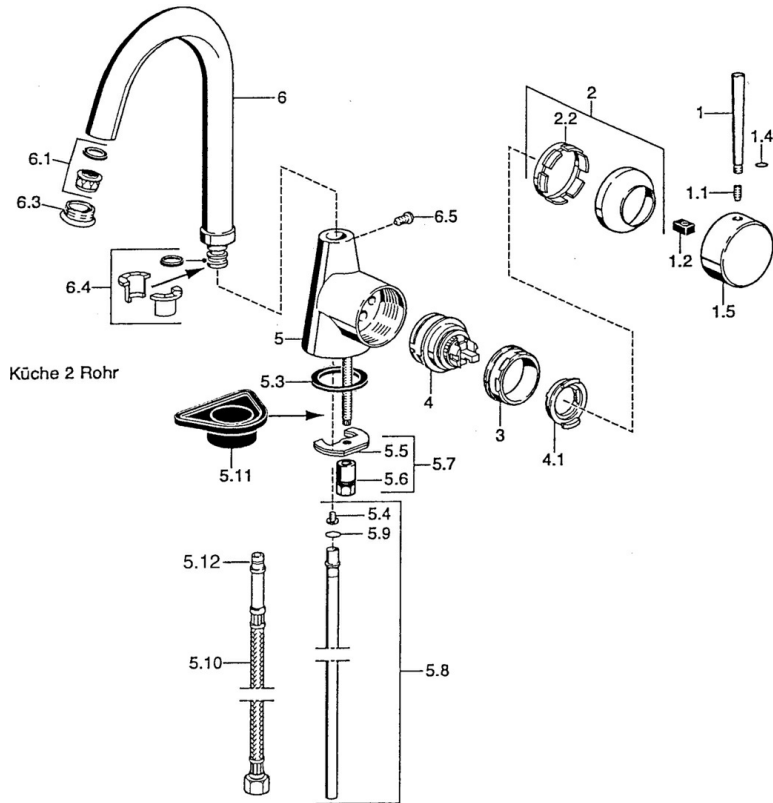
### Technical properties

Hot water supply	<b>max. +80°C</b>
Working pressure	<b>0.5-10 bar</b>
Backflow prevention (EN1717)	<b>AA</b>
Material	<b>Brass</b>

### Regulations

EN standard	<b>EN 817</b>
-------------	---------------

## Spare parts



### SP51012101

	Name	Code
1	Lever, 60 mm Discontinued	59911882
1	Lever, L=60 Blue Discontinued	59912148
1	Lever, 80 mm Discontinued	59912122
1.1	Screw, M5x8, SW2.5	59904755
1.2	Bushing	59904778
1.4	O-ring, d 6x1	59912136
1.5	Cap Discontinued	59911885
2	Covering cap	59906563
2.2	Fixing sleeve	59906695
3	Eye screw, M50x1, SW45	59904775
4	Cartridge, 4.8 eco	59904601
4.1	Hot water limiter	59904759
5.3	Gasket, 37x48x3.5	59911422
5.4	Attachment clamp Discontinued	59911416
5.5	Fixing plate	59904765
5.6	Screw, M8x1, SW13	59904766
5.7	Fixing set	59910749
5.8	Pipe, d 10 mm, L=413	59911423
5.9	O-ring, 9x2	59905095
5.10	Flexible pipe, L=430, G3/8-M10x1	59912515
5.10	Flexible pipe, L=370, G3/8 Discontinued	59911626
5.11	Supporting plate	59910008
6	Spout Discontinued	59911881
6.1	Aerator, M22/24 A	59902081
6.3	Aerator and key, M24x1, (2002-)	59912225
6.3	Aerator, M24x1, (-2002) Discontinued	59912011
6.4	Sealing kit	59911884
6.5	Screw, M4x7	59902075
N.I.	Key for aerator, (2002-)	59912228