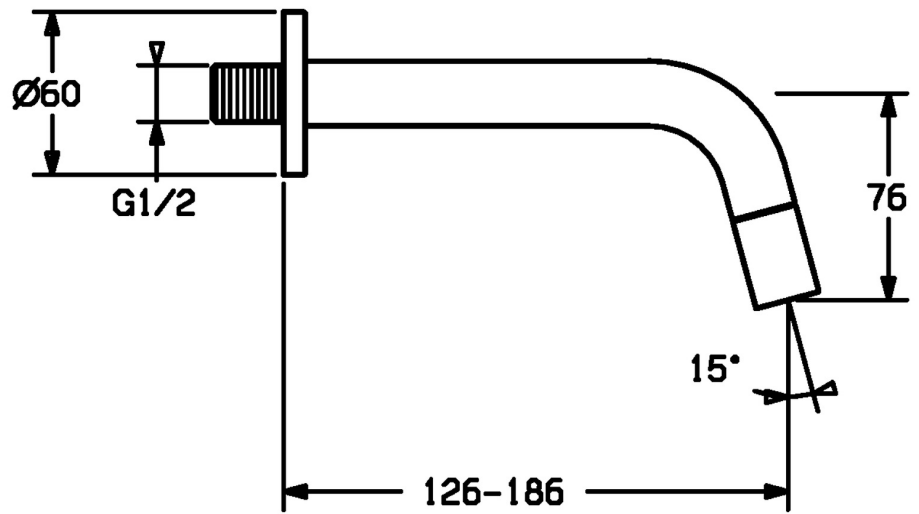
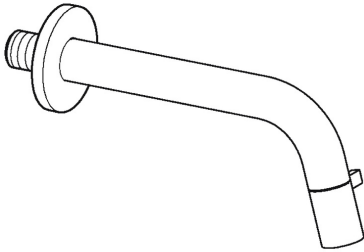


EAN: 4057304015779  
[static.hansa.com/5096810133](https://static.hansa.com/5096810133)



- Public & Semi-public, Industry
- Single-lever
- Wall mounted
- Matt black
- Fixed spout
- Hidden aerator
- Single operating lever/handle
- Ceramic head part for flow control
- One inlet for cold or premixed water
- Flexible length / can be shortened, Inner body made of DZR brass



## Technical data

### Flow properties

Flow-rate at 3 bar	<b>6.0 l/min</b>
Pressure loss with flow (0.1 l/s)	<b>3 bar</b>

### Technical properties

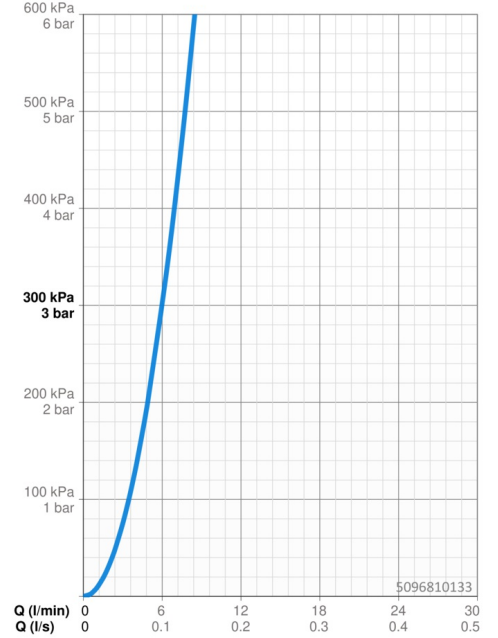
DN-size (nominal dimension)	<b>DN15</b>
Hot water supply	<b>max. +80°C</b>
Working pressure	<b>0.5-10 bar</b>
Connection size	<b>G1/2</b>
Projection	<b>126-186 mm</b>
Backflow prevention (EN1717)	<b>AA</b>
Material	<b>Brass</b>

### Regulations

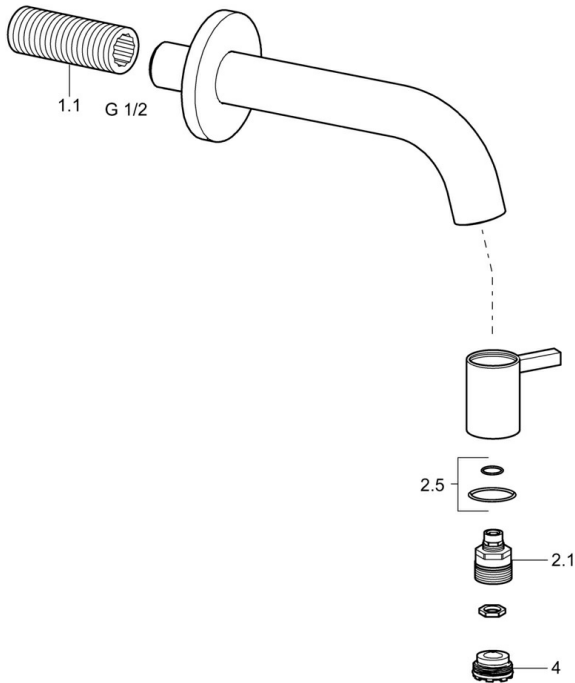
EN standard	<b>EN 817</b>
-------------	---------------

### Approvals and Declarations

KIWA	<b>K100538/01</b>
Declaration of conformity	<b>DoC</b>



## Spare parts



### SP5086810133

	Name	Code
1.1	Nipple Discontinued	59905534
2.1	Headpart	59913323
2.5	O-ring kit	59913320
4	Aerator, M21.5x1, JR Z, (-2014)	59913318
4.1	Key for aerator, M21.5x1	59913133