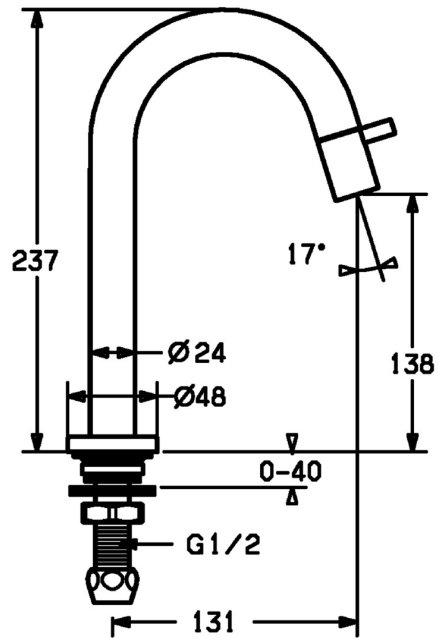
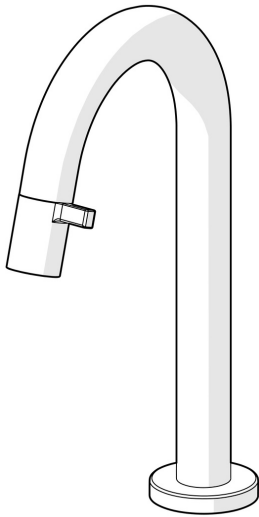


EAN: 4015474171671
static.hansa.com/50918101



- Public & Semi-public, Industry
- Single-lever
- Deck mounted
- Chrome
- Fixed spout
- Hidden aerator
- Single operating lever/handle
- Ceramic head part for flow control
- One inlet for cold or premixed water
- Inner body made of DZR brass
- Without pop-up waste



Technical data

Flow properties

Flow-rate at 3 bar	6.0 l/min
Pressure loss with flow (0.1 l/s)	3 bar

Technical properties

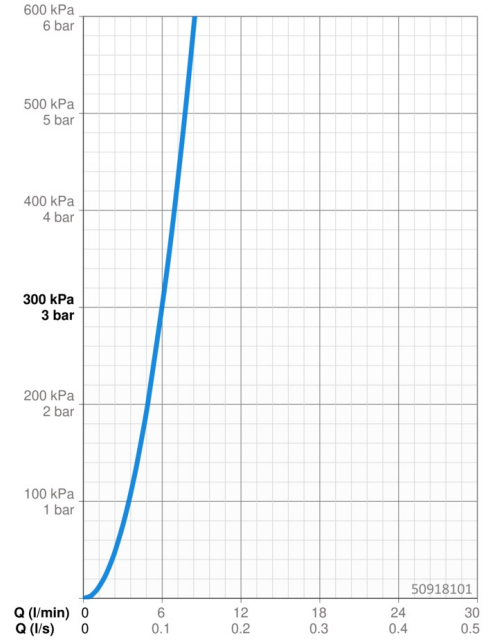
DN-size (nominal dimension)	DN15
Hot water supply	max. +80°C
Working pressure	0.5-10 bar
Connection size	G1/2
Projection	131 mm
Backflow prevention (EN1717)	AA
Material	Brass

Regulations

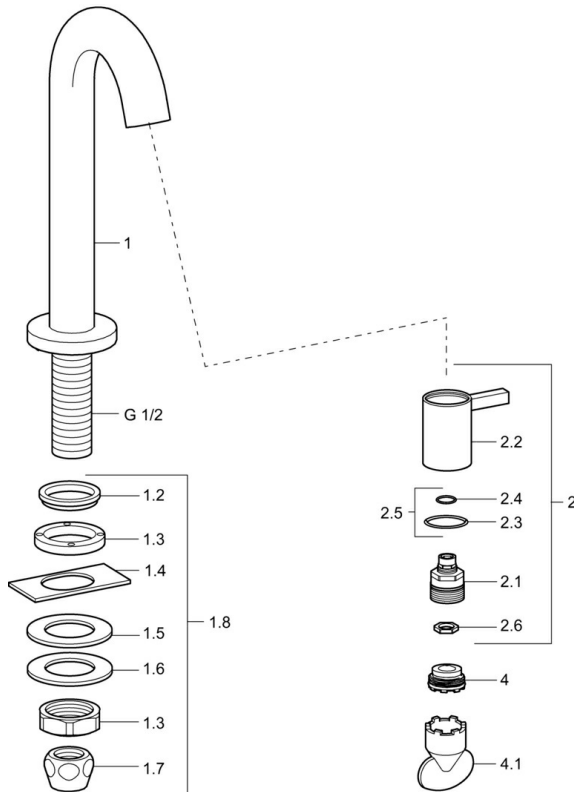
EN standard	EN 817
-------------	---------------

Approvals and Declarations

KIWA	K100538/01
Declaration of conformity	DoC



Spare parts



SP50938101

	Name	Code
1.2	Gasket Discontinued	59902296
1.3	Fitting nut, G1/2, SW32	59902245
1.4	Protective piece	59905535
1.5	Gasket, 45x23x2	59902282
1.6	Gasket, 45x24x0.5	59902328
1.7	Sealing kit Discontinued	59910707
1.8	Fixing set	59912335
2	Headpart	59913321
2	Headpart White	5991332182
2	Headpart Black	5991332184
2	Headpart Stainless steel	5991332196
2.1	Headpart	59913323
2.2	Lever	59913322
2.2	Lever White Discontinued	5991332282
2.2	Handle Black Discontinued	5991332284
2.2	Handle Brushed steel Discontinued	5991332296
2.5	O-ring kit	59913320
4	Aerator, M21.5x1, JR Z, (-2014)	59913318
4	Aerator, M21.5x1	59913598
4.1	Key for aerator, M21.5x1	59913133