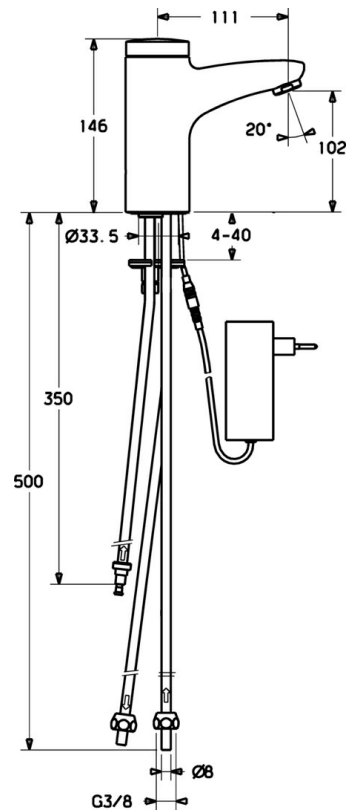
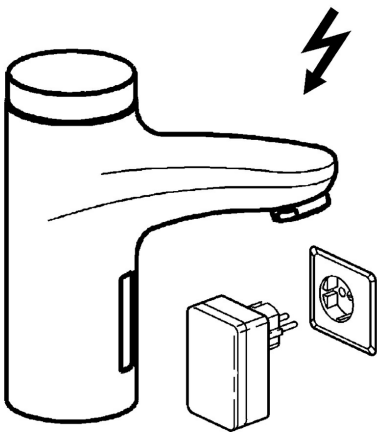


EAN: 4015474106420  
[static.hansa.com/50801100](http://static.hansa.com/50801100)



- Washbasin
- Touchless, Plug transformer, Low pressure
- Deck mounted
- Chrome
- Fixed spout
- Litter filter(s), Non-return valve(s)
- Solenoid valve, Infrared sensor
- Copper inlet pipes
- Inner body made of DZR brass, Software settings adjustable via buttons
- Without pop-up waste, Without draw-rod opening



## Technical data

---

### Technical properties

---

|                              |                   |
|------------------------------|-------------------|
| Hot water supply             | <b>max. +70°C</b> |
| Working pressure             | <b>0.5-5 bar</b>  |
| Connection size              | <b>Ø 8 mm</b>     |
| Length / Height              | <b>111 mm</b>     |
| Backflow prevention (EN1717) | <b>EB</b>         |
| Material                     | <b>Brass</b>      |

### Electronic properties

---

|                       |                  |
|-----------------------|------------------|
| Electrical Connection | <b>230 / 6 V</b> |
|-----------------------|------------------|

### Regulations

---

|             |                 |
|-------------|-----------------|
| EN standard | <b>EN 15091</b> |
|-------------|-----------------|

## Spare parts

---

### SP50801100

---

|     | <b>Name</b>                    | <b>Code</b> |
|-----|--------------------------------|-------------|
| 1   | Electronics                    | 59912436    |
| 1.2 | Screw                          | 59912450    |
| 1.5 | Holder                         | 59912442    |
| 1.8 | Connection cable               | 59910770    |
| 1.9 | Power supply                   | 59912786    |
| 2.2 | Solenoid valve                 | 59912240    |
| 2.3 | Non-return valve               | 59911674    |
| 3.1 | Cover Discontinued             | 59912444    |
| 3.3 | Sleeving                       | 59911678    |
| 3.7 | Fixing set                     | 59911680    |
| 4.1 | Litter filter                  | 59911684    |
| 5   | Diverter and cartridge         | 59912788    |
| 5.2 | Covering cap Discontinued      | 59911689    |
| 6   | Aerator, M24x1 A, low pressure | 59902692    |
| 6.1 | Aerator, M22/24, ND            | 59901553    |