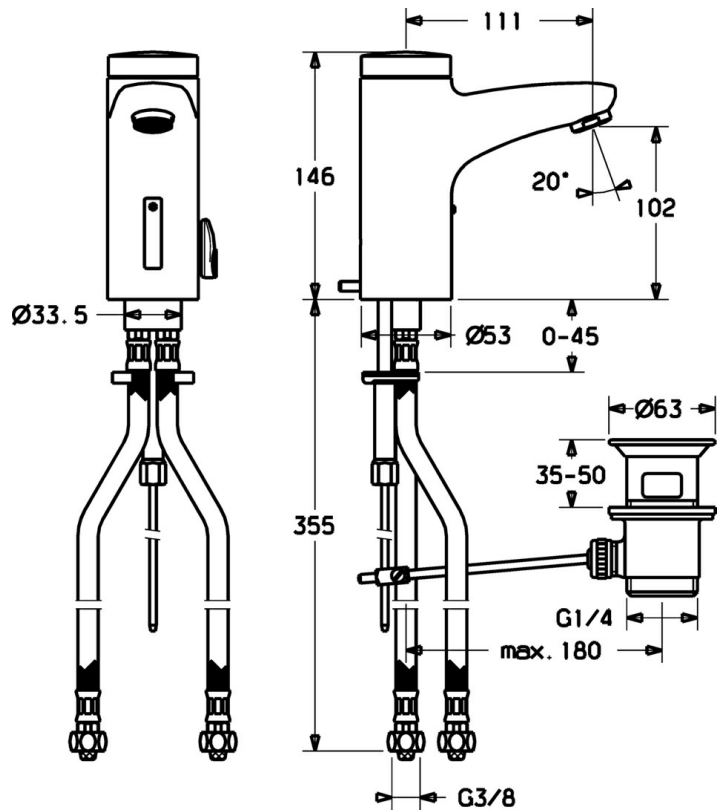
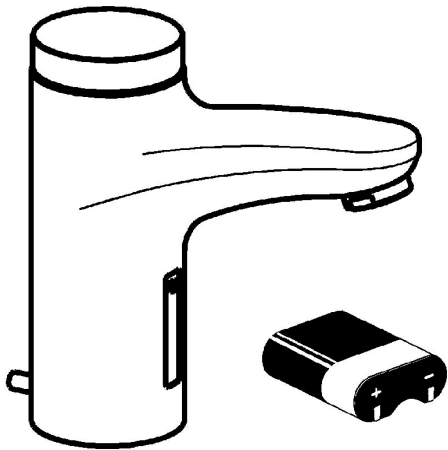


EAN: 4015474084261
static.hansa.com/50792211



- Washbasin
 - Touchless, Battery-operated
 - Deck mounted
 - Chrome
 - Fixed spout
 - Standard aerator
- Pop-up waste with draw-rod
 - Temperature preset fixable
 - Litter filter(s), Mixing valve for manual temperature control, Non-return valve(s)
 - Low battery indicator, Infrared sensor, Solenoid valve
 - Flexible inlet pipes
 - Inner body made of DZR brass, Software settings adjustable via buttons



Technical data

Technical properties

Hot water supply	max. +70°C
Working pressure	0.5-10 bar
Connection size	G3/8
Length / Height	111 mm
Backflow prevention (EN1717)	EB
Material	Brass

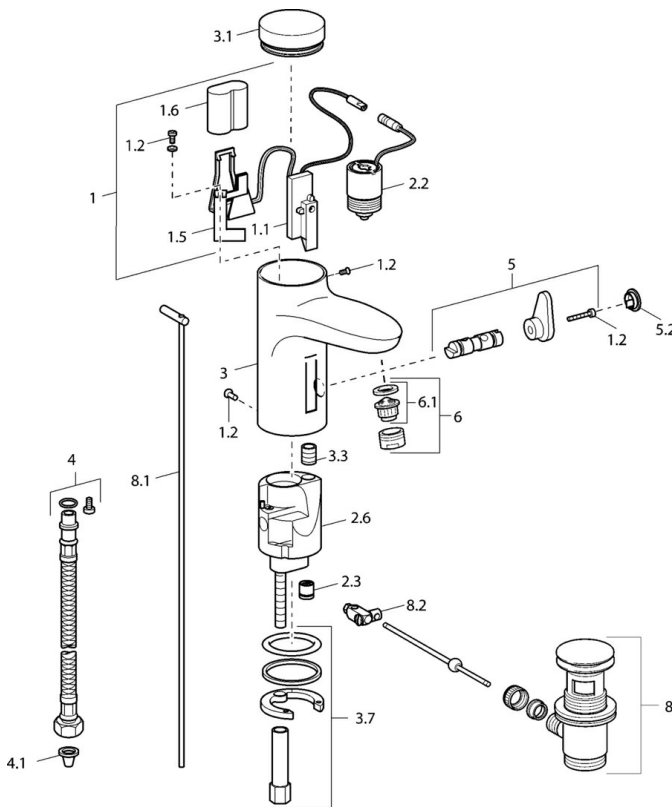
Electronic properties

Battery	Lithium DL223 6 V
---------	--------------------------

Regulations

EN standard	EN 15091
-------------	-----------------

Spare parts



SP50792211

	Name	Code
1	Electronics Discontinued	59912438
1.2	Screw	59912450
1.5	Holder	59912442
1.6	Lithium battery, DL223A /CR-P2	59912443
2.2	Solenoid valve	59912240
2.3	Non-return valve	59911674
3.1	Cover Discontinued	59912444
3.3	Sleeving	59911678
3.7	Fixing set	59911680
4	Flexible pipe, G3/8x10 (2008-)	59912447
5	Diverter and cartridge	59912788
5.2	Covering cap Discontinued	59911689
6	Aerator, M24x1 Z	59906826
6.1	Aerator, M22/24, Z	59906830
8	Pop-up waste	59911441
8.1	Pop-up operating rod	59912449
8.2	Swivel joint	59904624