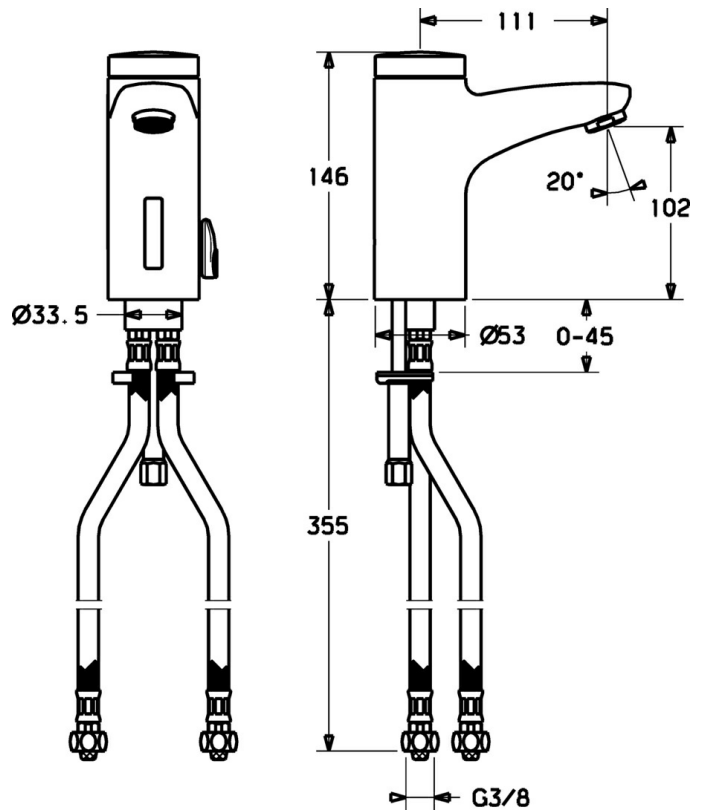
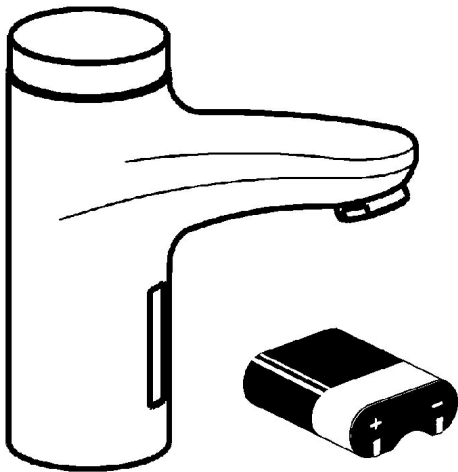


EAN: 4015474084254
static.hansa.com/50772210



- Washbasin
- Touchless, Battery-operated
- Deck mounted
- Chrome
- Fixed spout
- Standard aerator
- Temperature preset fixable
- Litter filter(s), Mixing valve for manual temperature control, Non-return valve(s)
- Low battery indicator, Infrared sensor, Solenoid valve
- Flexible inlet pipes
- Inner body made of DZR brass, Software settings adjustable via buttons
- Without pop-up waste, Without draw-rod opening



Technical data

Technical properties

Hot water supply	max. +70°C
Working pressure	0.5-10 bar
Connection size	G3/8
Length / Height	111 mm
Backflow prevention (EN1717)	EB
Material	Brass

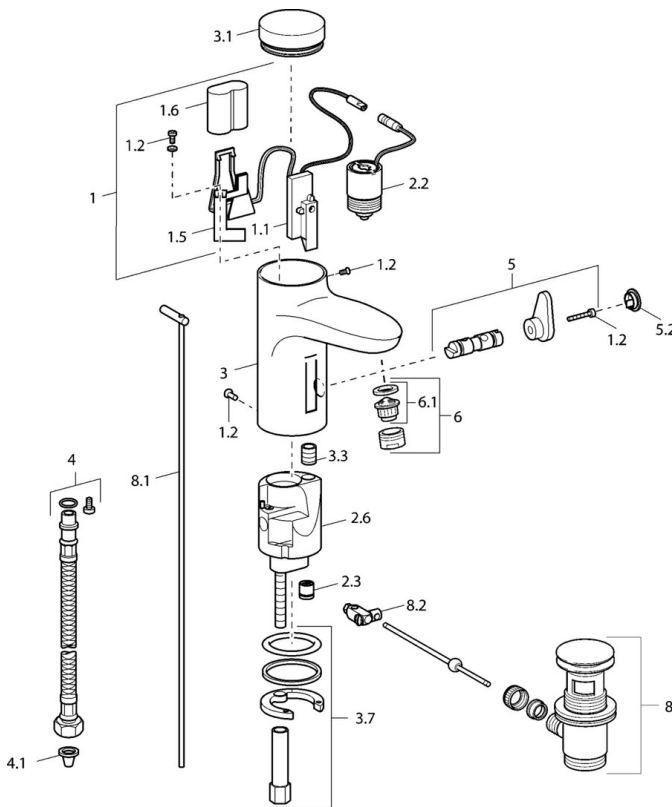
Electronic properties

Battery	Lithium DL223 6 V
---------	--------------------------

Regulations

EN standard	EN 15091
-------------	-----------------

Spare parts



SP50792210

	Name	Code
1	Electronics package	59912437
1.2	Screw	59912450
1.5	Holder	59912442
1.6	Lithium battery, DL223A /CR-P2	59912443
2.2	Solenoid valve	59912240
2.3	Non-return valve	59911674
3.1	Cover Discontinued	59912444
3.3	Sleeving	59911678
3.7	Fixing set	59911680
4	Flexible pipe, G3/8x10 (2008-)	59912447
5	Diverter and cartridge	59912788
5.2	Covering cap Discontinued	59911689
6	Aerator, M24x1 Z	59906826
6.1	Aerator, M22/24, Z	59906830
8	Pop-up waste	59911441
8.1	Pop-up operating rod	59912449
8.2	Swivel joint	59904624