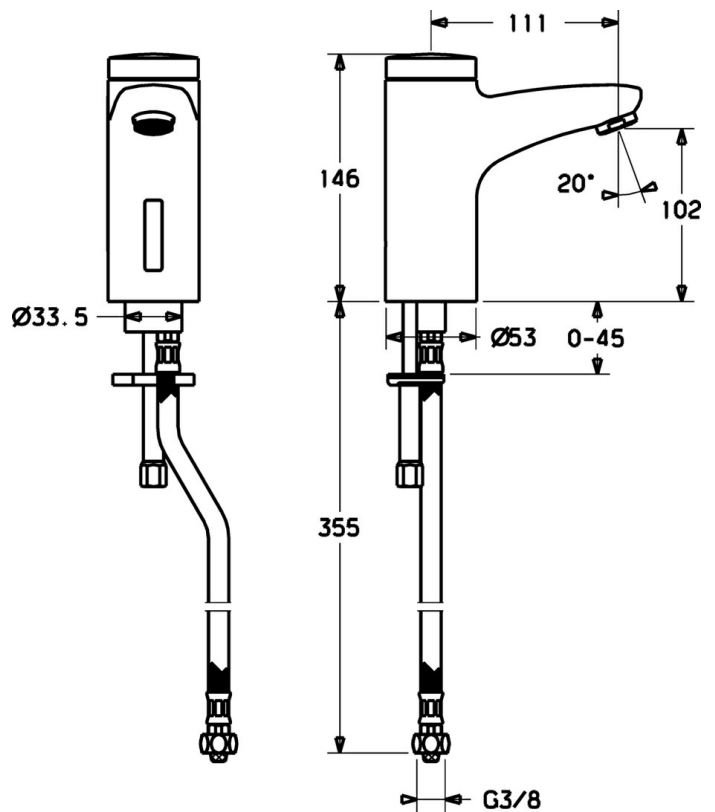


EAN: 4015474084346  
[static.hansa.com/50742220](http://static.hansa.com/50742220)



- Public & Semi-public
- Touchless, Battery-operated
- Deck mounted
- Chrome
- Litter filter(s), Non-return valve(s)



## Technical data

### Technical properties

Hot water supply	<b>max. +70°C</b>
Working pressure	<b>0.5-10 bar</b>
Connection size	<b>G3/8</b>
Backflow prevention (EN1717)	<b>EB</b>
Material	<b>Brass</b>

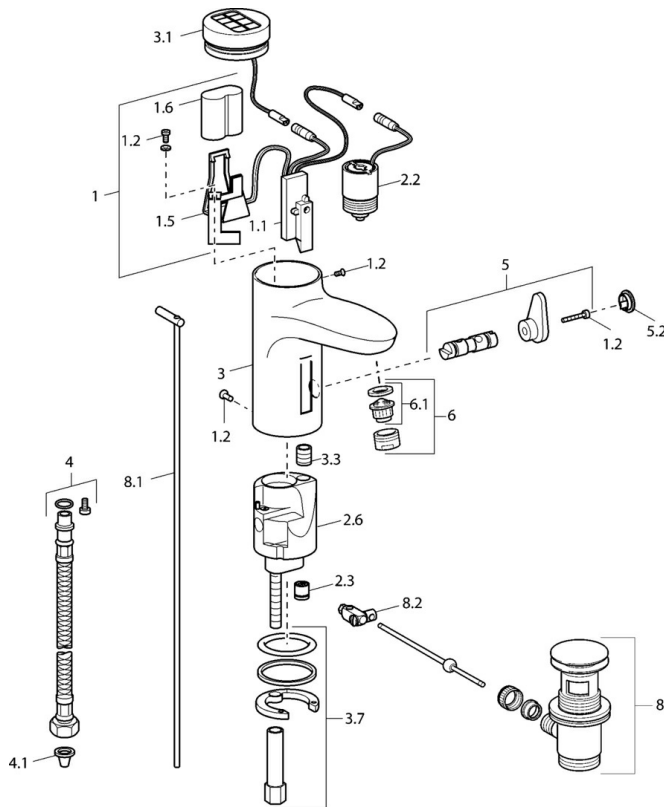
### Electronic properties

Battery	<b>Lithium DL223 6 V</b>
---------	--------------------------

### Regulations

EN standard	<b>EN 15091</b>
-------------	-----------------

## Spare parts



### SP50792220

	Name	Code
1	Electronics	59912439
1.2	Screw	59912450
1.5	Holder	59912442
1.6	Lithium battery, DL223A / CR-P2	59912443
2.2	Solenoid valve	59912240
2.3	Non-return valve	59911674
3.1	Cover Discontinued	59912445
3.3	Sleeving	59911678
3.7	Fixing set	59911680
4	Flexible pipe, G3/8x10 (2008-)	59912447
4.1	Litter filter	59911684
5	Diverter and cartridge	59912788
5.2	Covering cap Discontinued	59911689
6	Aerator, M24x1 Z	59906826
6.1	Aerator, M22/24, Z	59906830
8	Pop-up waste	59911441
8.1	Pop-up operating rod	59912449
8.2	Swivel joint	59904624