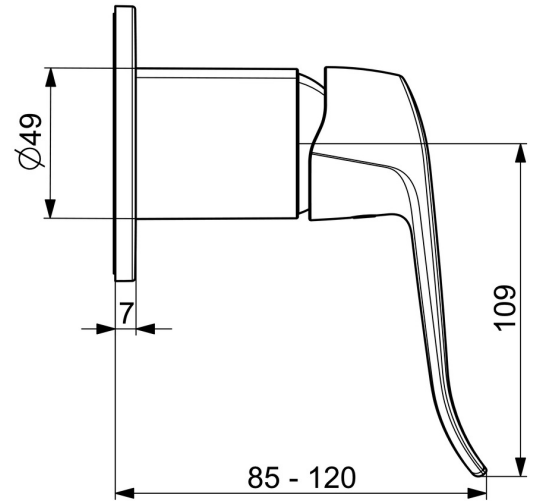
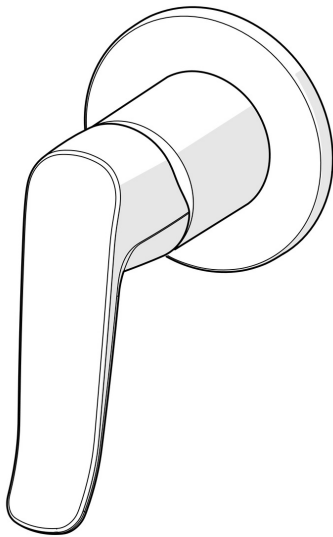


EAN: 4057304015991  
[static.hansa.com/506699060037](https://static.hansa.com/506699060037)



- Health & Care
- Trim Kit
- Concealed wall mounting
- Chrome
- Single operating lever/handle, Hot/Cold symbols
- Round rosette



## Technical data

### Technical properties

Hot water supply	<b>max. +80°C</b>
Working pressure	<b>1-10 bar</b>

### Regulations

EN standard	<b>EN 817</b>
-------------	---------------

### Approvals and Declarations

Declaration of conformity	<b>DoC</b>
EPD	<b>S-P-07752</b>

## Spare parts

---

### SP50669983

---

	<b>Name</b>	<b>Code</b>
01	Lever	59914453
01	Lever, L=136	59914719
02	Cover sleeve Discontinued	59914455
03	Cover plate, d 90 mm	59914739
03	Cover plate, d 130 mm	59914740