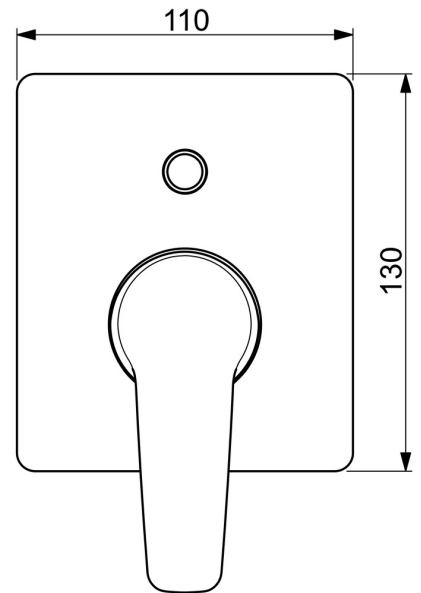
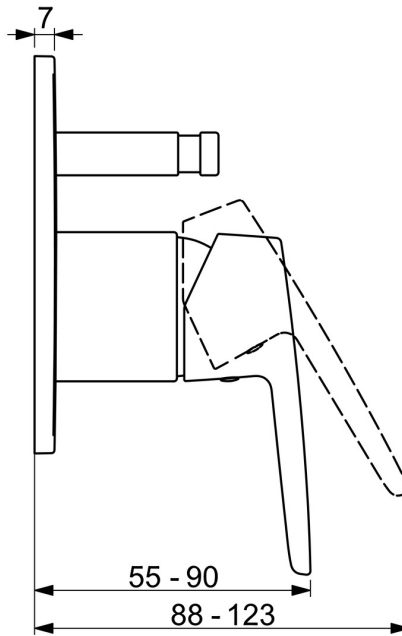
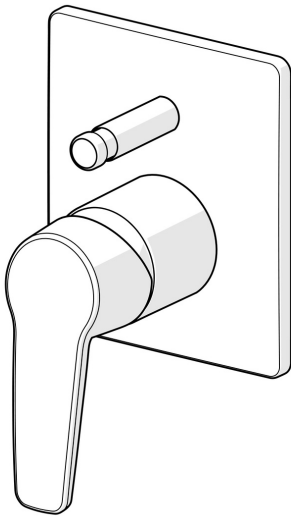


EAN: 4057304011672
static.hansa.com/50609193



- Bathtub & Shower
- Single-lever, Trim Kit
- Concealed wall mounting
- Chrome
- Single operating lever/handle, Hot/Cold symbols
- Push operated diverter
- Limitation option for maximum temperature and flow-rate
- Square rosette



Technical data

Technical properties

Hot water supply	max. +80°C
Working pressure	1-10 bar

Regulations

EN standard	EN 817
-------------	---------------

Approvals and Declarations

Declaration of conformity	DoC
---------------------------	------------

Spare parts

SP50609193

	Name	Code
01	Lever	59914417
02	Cover sleeve	59912511
03	Cover plate, 110x130 mm	59914737
04	Diverter	59914738

