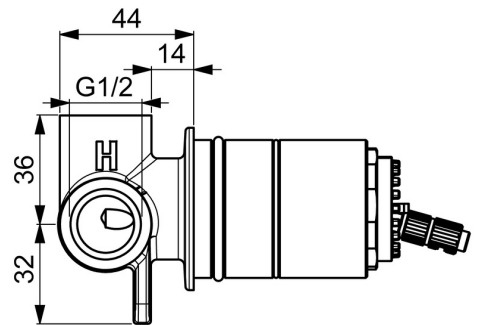
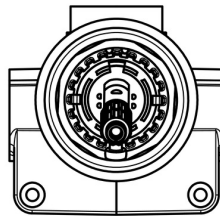
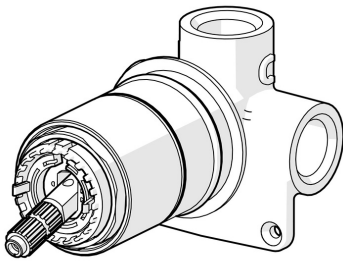


EAN: 4057304003929
static.hansa.com/50510100



- Shower solutions
- Concealed unit
- Concealed wall mounting
- Limitation option for maximum temperature and flow-rate, Adjustable hot water stop (included, retrofittable)
- \varnothing 40 mm ceramic cartridge for flow and temperature control
- Inner body made of DZR brass



Technical data

Flow properties

Flow-rate at 3 bar **21.6 l/min**

Technical properties

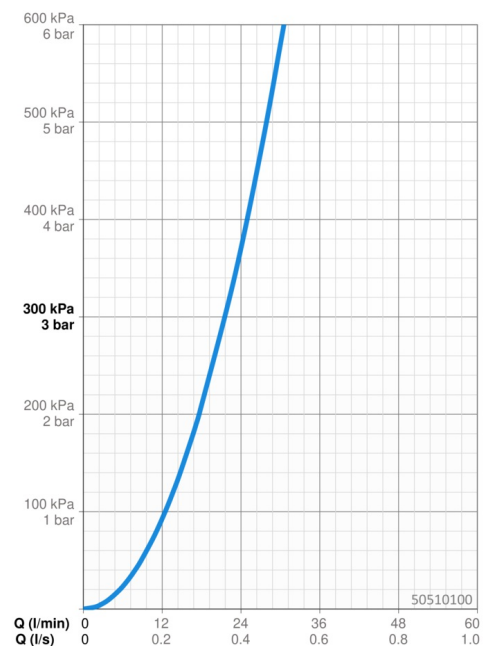
DN-size (nominal dimension) **DN15**
 Hot water supply **max. +80°C**
 Working pressure **1-10 bar**
 Connection size **G1/2**
 Material **Brass**

Regulations

EN standard **EN 817**

Approvals and Declarations

Declaration of conformity **DoC**



Spare parts

SP50510100

	Name	Code
01	Tightening nut, M42x1.5, SW 38	59914128
02	Cartridge, 4.0 Classic	59914129
N.I.	Raising kit, 20 mm	59914624

