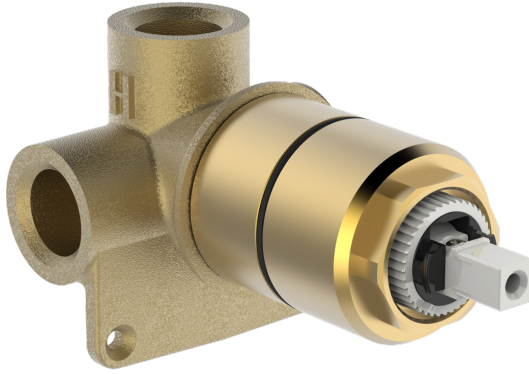
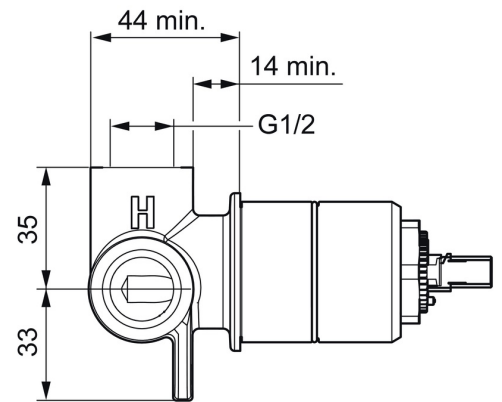
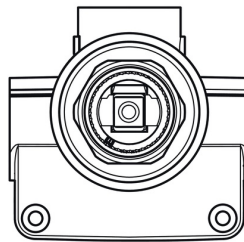
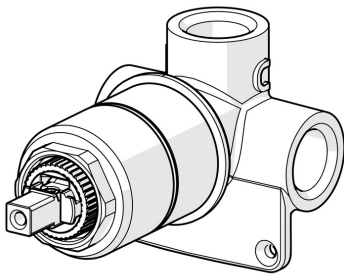


EAN: 4015474117990
static.hansa.com/50500100



- Shower solutions
- Concealed unit
- Concealed wall mounting
- Limitation option for maximum temperature and flow-rate, Adjustable hot water stop (included, retrofittable)
- \varnothing 35 mm ceramic cartridge for flow and temperature control
- Inner body made of DZR brass



Technical data

Flow properties

Flow-rate at 3 bar **16.8 l/min**

Technical properties

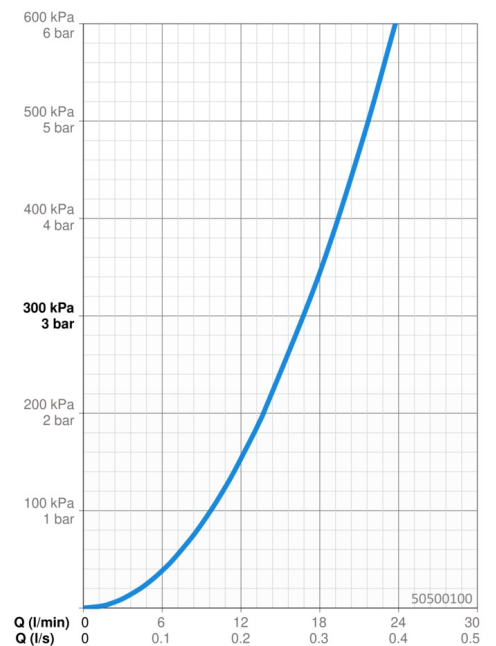
DN-size (nominal dimension) **DN15**
 Hot water supply **max. +80°C**
 Working pressure **1-10 bar**
 Connection size **G1/2**
 Material **Brass**

Regulations

EN standard **EN 817**

Approvals and Declarations

Declaration of conformity **DoC**
 EPD **S-P-07751**



Spare parts

SP50500100

	Name	Code
01	Temperature adjustment limiter	59912325
02	Cartridge, 3.5 Classic	59913075

