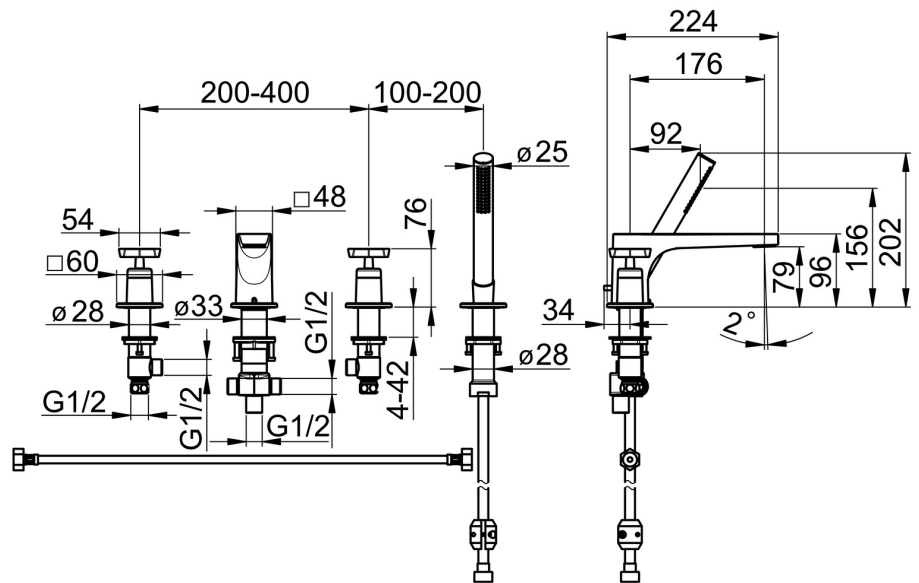
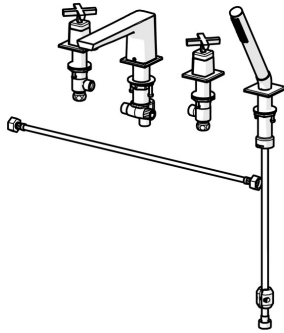


Discontinued

EAN: 4057304006883
static.hansa.com/50462071



- Bath tub & Shower
- Trim Kit, Two-grip
- Rim mounted
- Chrome
- Fixed spout
- Hidden aerator
- Cross shape, Two operating levers/handles
- Pull operated diverter
- Hand shower
- Intense - invigorating water stream
- Pull-out hand spray
- Ceramic head part for flow control, Non-return valve(s)
- Flexible inlet pipes
- Square rosette
- 1 spray function



Technical data

Flow properties

Flow-rate at 3 bar **19.8 / 13.2 l/min**

Technical properties

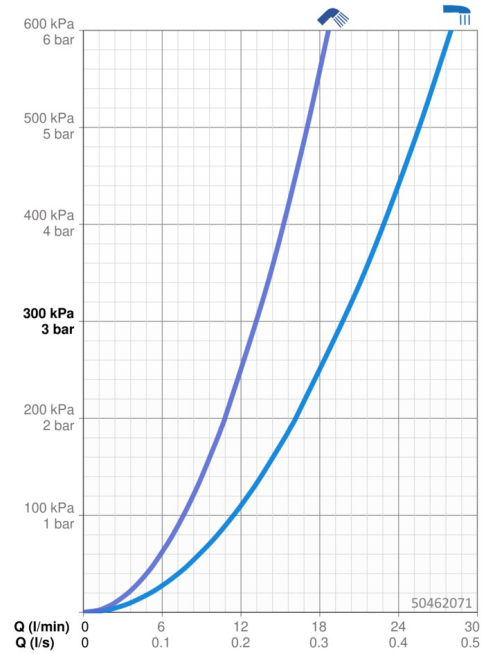
DN-size (nominal dimension) **DN15**
 Hot water supply **max. +70°C**
 Working pressure **0.5-10 bar**
 Connection size **G1/2**
 Projection **176 mm**
 Backflow prevention (EN1717) **EB**
 Material **Brass**

Regulations

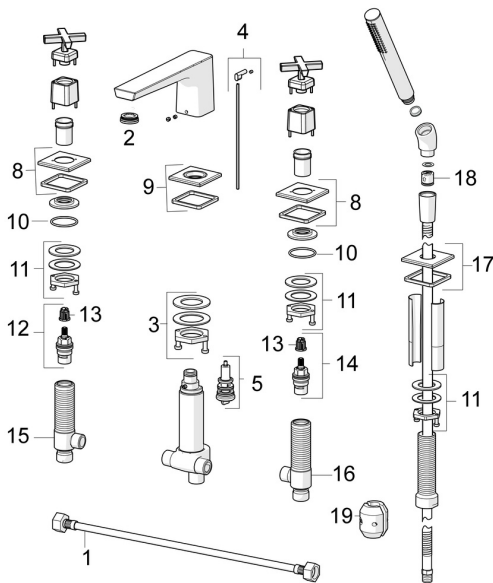
EN standard **EN 200**

Approvals and Declarations

Declaration of conformity **DoC**



Spare parts



SP50462071

	Name	Code
01	Flexible pipe, L=600, G1/2xG1/2 Discontinued	59914408
02	Aerator, M24x1	59913132
03	Fixing set	59913371
04	Pop-up operating rod	59914413
05	Diverter	59912706
08	Cover flange Discontinued	59914611
09	Cover flange	59914613
10	O-ring, d 37.77x2.62 Discontinued	59913995
11	Fixing set Discontinued	59914403
12	Headpart, G1/2, SW17	59913224
13	Adapter White	59910235
14	Headpart, G1/2	59913457
15	Valve, G1/2xG1/2 Discontinued	59913455
16	Valve, G1/2xG1/2 Discontinued	59913453
17	Cover flange	59914614
18	Non-return valve	59905714
19	Counterbalance	59914039