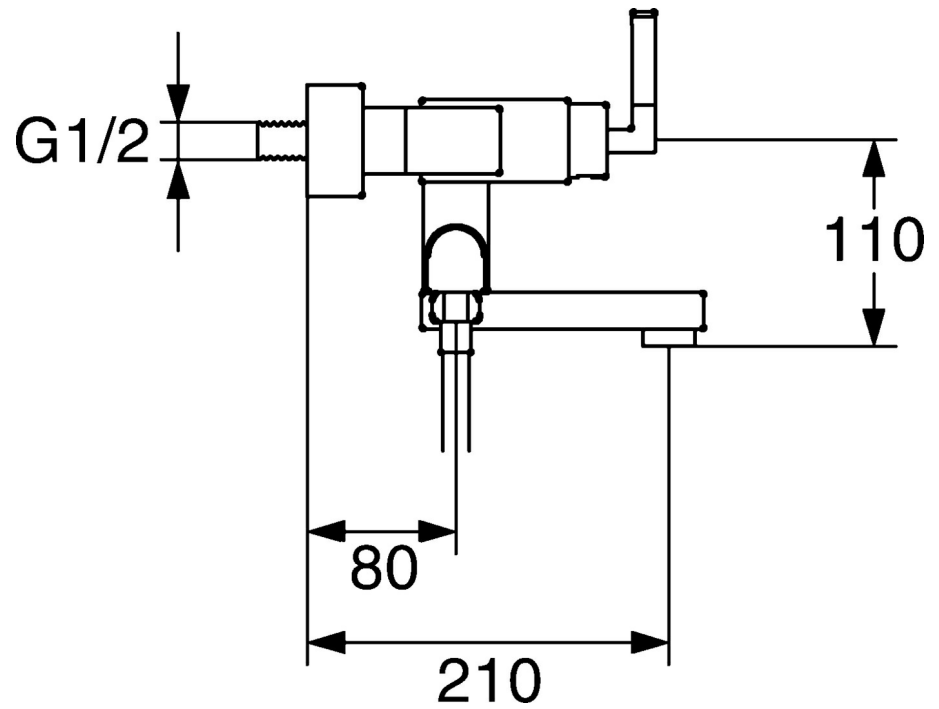


EAN: 4015474072626
static.hansa.com/50162102



- Bathtub & Shower
- Single-lever
- Wall mounted
- Chrome
- Non-return valve(s)
- Silencer(s)

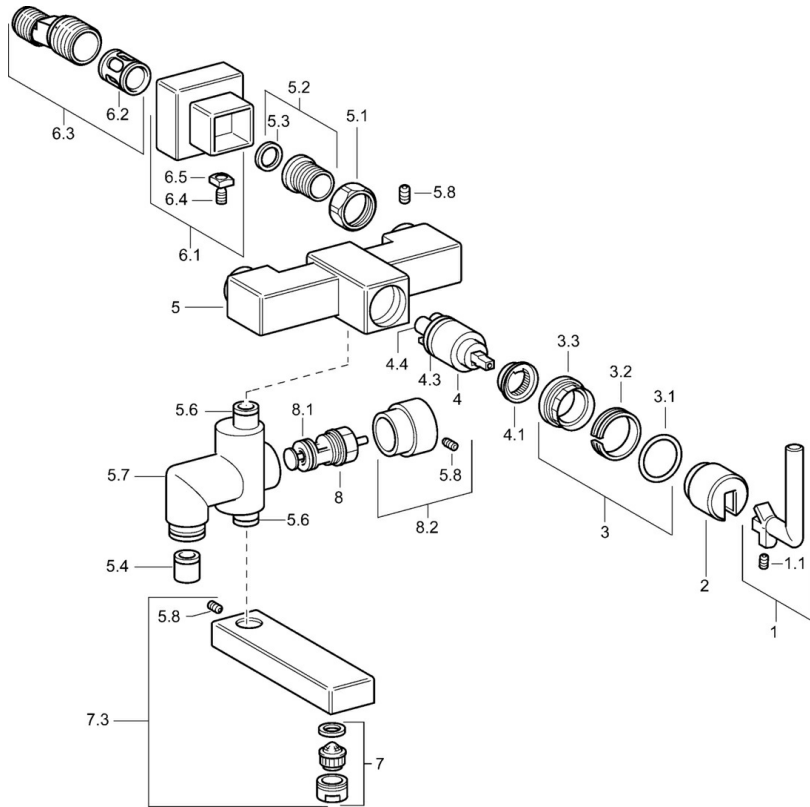


Technical data

Technical properties

| | |
|------------------------------|------------|
| Hot water supply | max. +80°C |
| Working pressure | 0.5-10 bar |
| Backflow prevention (EN1717) | EB |

Spare parts



SP50162102

| | Name | Code |
|-----|--------------------------------------|----------|
| 1 | Lever Discontinued | 59912680 |
| 1.1 | Screw, M4x4 Discontinued | 59912681 |
| 2 | Cover flange Discontinued | 59912690 |
| 3 | Fixing nut Discontinued | 59912683 |
| 4 | Cartridge, 3.5 Eco | 59912324 |
| 4.1 | Temperature adjustment limiter | 59912325 |
| 4.3 | O-ring, d 28.24x2.62 Discontinued | 59912590 |
| 4.4 | O-ring, d 10.10x1.60 Discontinued | 59905072 |
| 5.1 | Connection nut, G3/4, AF30 | 59902230 |
| 5.2 | Seat, G1/2, L, WAF10 | 59904618 |
| 5.3 | Retaining ring, 23.9x15.2x2 | 59902689 |
| 5.4 | Non-return valve | 59905714 |
| 5.6 | O-ring, d 13.95x2.62 Discontinued | 59912686 |
| 5.8 | Pin, M5x6, SW2.6 Discontinued | 59912477 |
| 6.1 | Cover flange Discontinued | 59912685 |
| 6.2 | Silencer | 59904792 |
| 6.3 | Eccentric connector, G3/4xG1/2, DN15 | 59910254 |
| 7 | Aerator, M28x1 D | 59907198 |
| 7.3 | Spout Discontinued | 59912688 |
| 8 | Diverter | 59911156 |
| 8.1 | Sealing kit | 59904791 |
| 8.2 | Pop-up operating rod Discontinued | 59912687 |