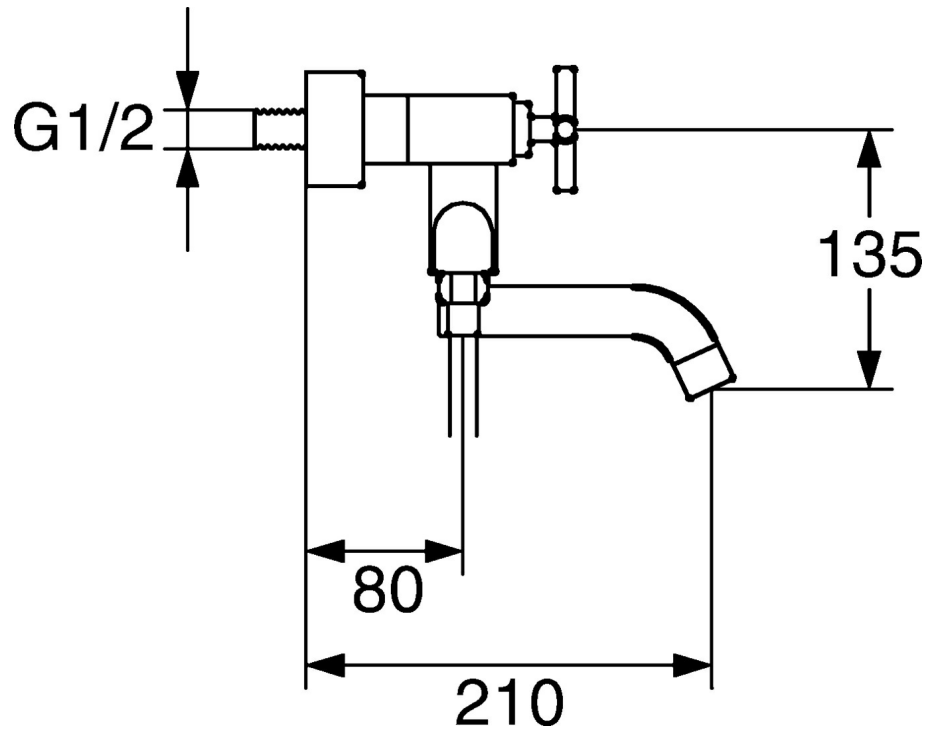


EAN: 4015474072435
static.hansa.com/50142101



- Bath tub & Shower
- Two-grip
- Wall mounted
- Chrome
- Two operating levers/handles, Cross shape
- Integrated into spout
- Non-return valve(s)
- Eccentric coupling(s), Cover plate(s), Silencer(s)

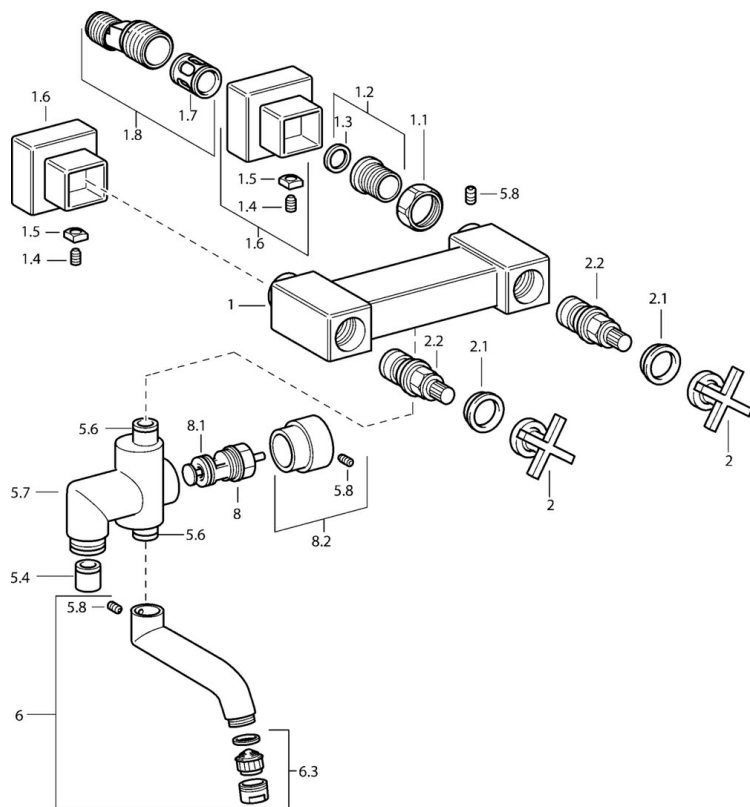


Technical data

Technical properties

DN-size (nominal dimension)	DN15
Hot water supply	max. +80°C
Working pressure	0.5-10 bar
Projection	210 mm
Backflow prevention (EN1717)	EB
Material	Brass

Spare parts



SP50142101

	Name	Code
1.1	Connection nut, G3/4, AF30	59902230
1.2	Seat, G1/2, L, WAF10	59904618
1.3	Retaining ring, 23.9x15.2x2	59902689
1.6	Cover flange Discontinued	59912685
1.7	Silencer	59904792
1.8	Eccentric connector, G3/4xG1/2, DN15	59910254
2	Lever Discontinued	59912663
2.1	Symbol plug Blue/Red Discontinued	59912664
2.2	Headpart Discontinued	59912665
5.4	Non-return valve	59905714
5.6	O-ring, d 13.95x2.62 Discontinued	59912686
5.8	Pin, M5x6, SW2.6 Discontinued	59912477
6	Spout Discontinued	59912692
6.3	Aerator Discontinued	59912689
8	Diverter	59911156
8.1	Sealing kit	59904791
8.2	Pop-up operating rod Discontinued	59912687