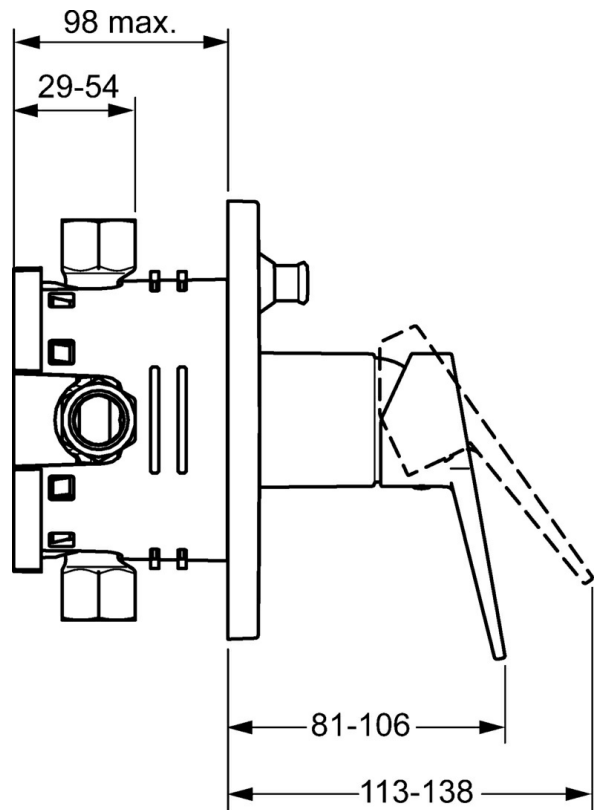
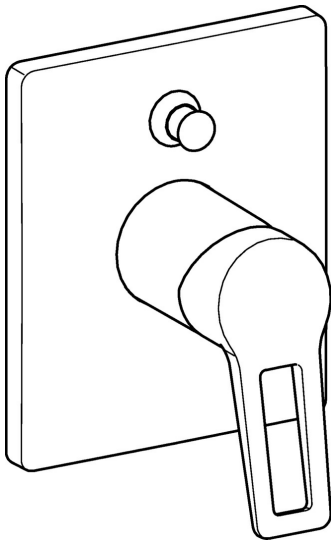


EAN: 4015474259522  
[static.hansa.com/49843085](https://static.hansa.com/49843085)



- Bathtub & Shower
- Single-lever, Trim Kit
- Concealed wall mounting
- Chrome
- Single operating lever/handle, Hot/Cold symbols
- Non-return valve(s)
- Square rosette



## Technical data

### Flow properties

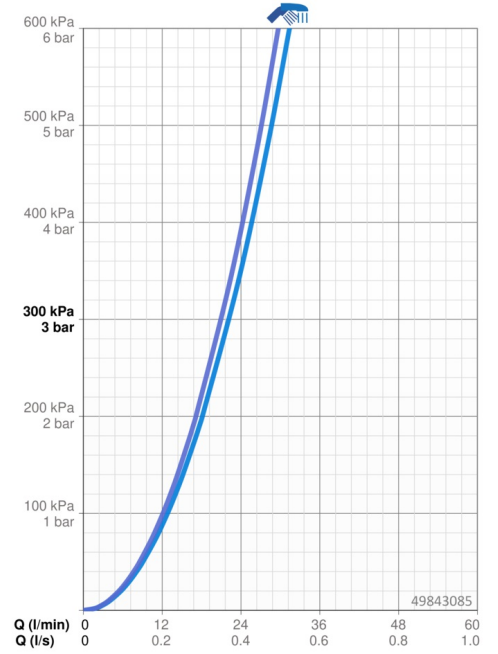
Flow-rate at 3 bar **22.2 / 21.0 l/min**

### Technical properties

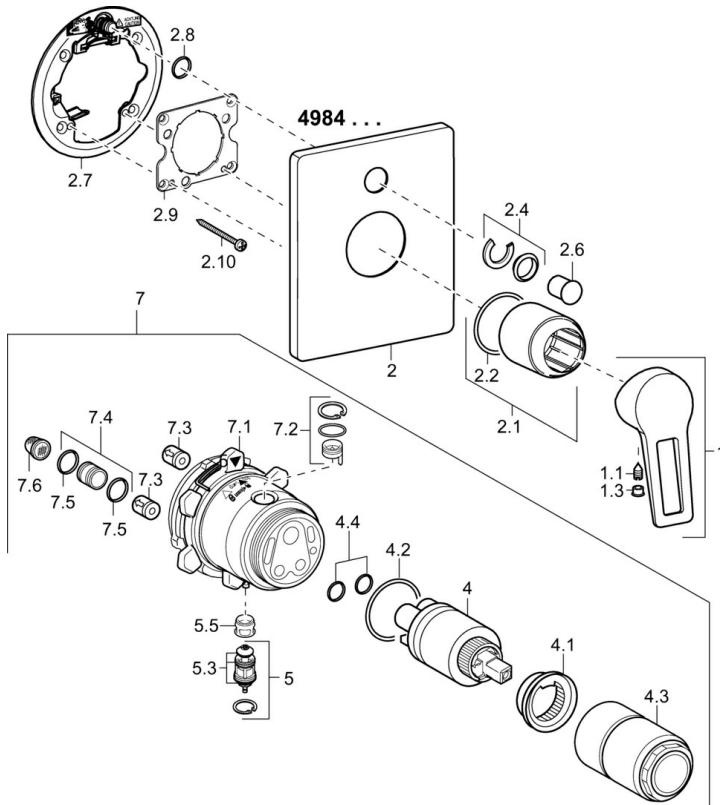
Hot water supply **max. +80°C**  
 Working pressure **0.5-10 bar**  
 Backflow prevention (EN1717) **LB**

### Regulations

EN standard **EN 817**



## Spare parts



### SP49843085

	Name	Code
1	Lever	59913911
1.1	Screw, M5x8, SW2.5	59904755
1.3	Symbol plug Grey	59912112
2	Cover plate Discontinued	59913829
2.1	Cover sleeve	59912511
2.2	O-ring, 41x3	59913215
2.4	Flow limiting cap	59912924
2.6	Push button	59913656
2.7	Supporting plate	59913048
2.8	O-ring, d 7.65x1.78	59902337
2.9	Fixing plate	59913034
2.10	Screw, M4,5x80	59912890
4	Cartridge, 3.5 Classic	59913075
4	Cartridge, 3.5 Eco	59912324
4.1	Temperature adjustment limiter	59912325
4.2	O-ring, d 28.24x2.62 Discontinued	59912590
4.3	Screw sleeve, M38x1	59912115
4.4	O-ring, d 10.10x1.60 Discontinued	59905072
5	Diverter	59912985
5.3	Sealing kit Discontinued	59912997
5.5	Seat	59912229
7	Functional unit, 3.5 Discontinued	59913379
7	Functional unit, H/C reversed	59912978
7.1	Blind nut	59912984
7.2	Back-pressure valve	59912990
7.3	Non-return valve	59905714
7.4	Connection nipple, (2014-)	59913885
7.5	O-ring, d 14x2	59912982
7.6	Strainer	59913126
N.I.	Raising kit, 20 mm	59912754