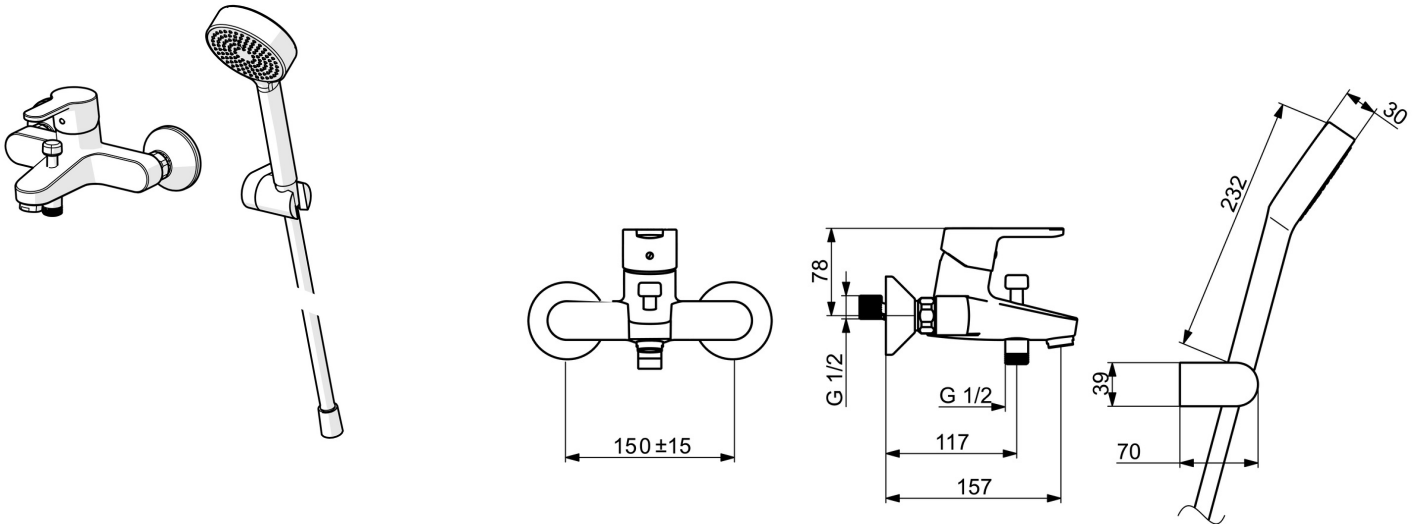


EAN: 4015474254718
static.hansa.com/494421030003



- Bath tub & Shower
- Single-lever
- Wall mounted
- Chrome
- Hot/Cold symbols, Single operating lever/handle
- Pull operated diverter, Automatic reset
- Hand shower, Shower holder, Shower hose (1250 mm)
- Normal - Even and soft water stream
- Limitation option for maximum temperature and flow-rate, Adjustable hot water stop (included, retrofittable)
- Litter filter(s), Non-return valve(s), \varnothing 35 mm ceramic cartridge for flow and temperature control
- Eccentric coupling(s), Silencer(s)
- Inner body made of DZR brass
- protected against back-flow in domestic use (according to DIN EN 1717)
- 1 spray function



Technical data

Flow properties

Flow-rate at 3 bar **20.4 / 19.2 l/min**

Technical properties

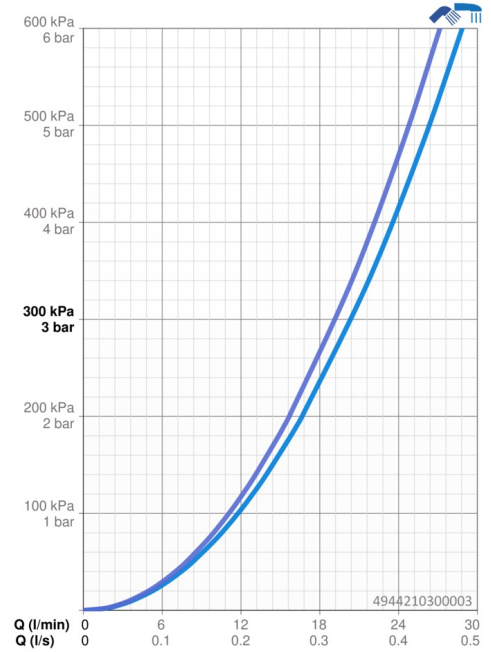
DN-size (nominal dimension) **DN15**
 Hot water supply **max. +90°C**
 Working pressure **0.5-10 bar**
 Connection size **G3/4**
 Installation width **150 ± 15 mm**
 Projection **155 mm**
 Backflow prevention (EN1717) **EB**
 Material **Brass**

Regulations

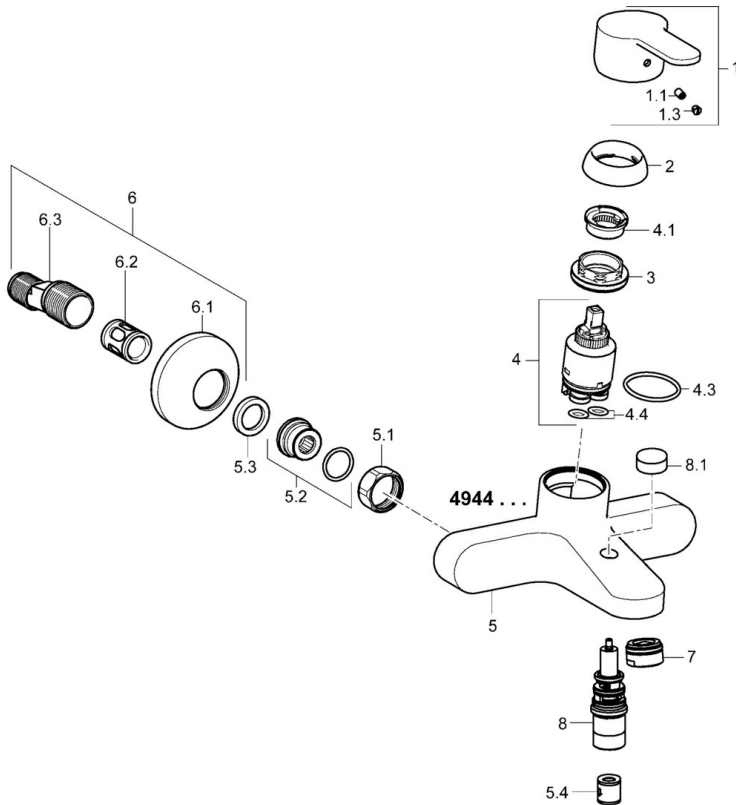
EN standard **EN 817**

Approvals and Declarations

KIWA **K6116/08**
 ABP **PA-IX 38250/ICB**
 Declaration of conformity **DoC**



Spare parts



SP49442103

	Name	Code
1	Lever	59913827
1.1	Screw, M5x8, SW2.5	59904755
1.3	Symbol plug Grey	59912112
2	Covering cap, 33x3 mm	59912504
3	Tightening nut, M40x1	1003409V
4	Cartridge, 3.5 Eco	59912324
4	Cartridge, 3.5 Classic	59913075
4.1	Temperature adjustment limiter	59912325
4.3	O-ring, d 28.24x2.62 Discontinued	59912590
4.4	O-ring, d 10.10x1.60 Discontinued	59905072
5.1	Connection nut, G3/4, AF30	59902230
5.2	Connector	59913400
5.3	Retaining ring, 23.9x15.2x2	59902689
5.4	Non-return valve	59905714
6	Eccentric, G3/4xG1/2	59904793
6.1	Cover flange	59904796
6.2	Silencer	59904792
6.3	Eccentric connector, G3/4xG1/2, DN15	59910254
7	Aerator, M24x1 C	59913401
8	Diverter	59912706
8.1	Diverter knob	59913402
N.I.	Key, SW30/34	59912108