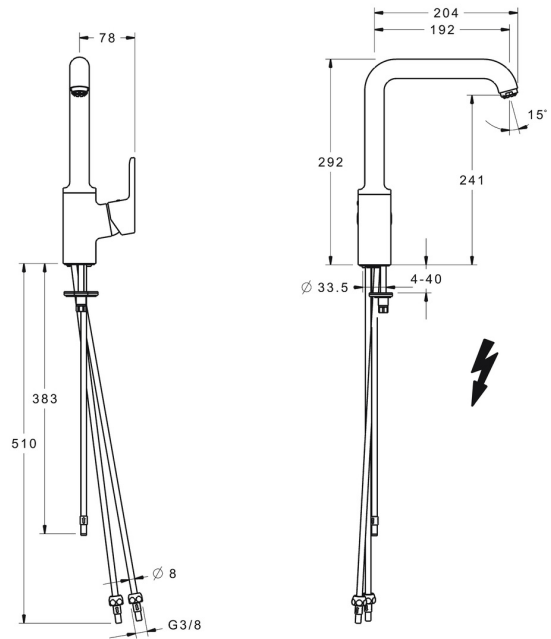
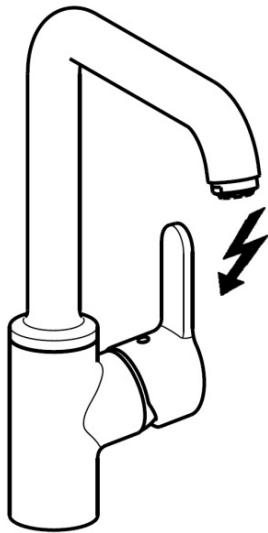


EAN: 4015474274945
static.hansa.com/49221103



- Kitchen
- Single-lever, side operated, Low pressure
- Deck mounted
- Chrome
- Swivel spout, Swivel range limiting option
- Laminar stream, Standard aerator
- Hot/Cold symbols, Single operating lever/handle
- Limitation option for maximum temperature and flow-rate, Adjustable hot water stop (included, retrofittable)
- \varnothing 35 mm ceramic cartridge for flow and temperature control
- Copper inlet pipes
- Inner body made of DZR brass, Rapid installation system



Technical data

Technical properties

DN-size (nominal dimension)	DN15
Hot water supply	max. +80°C
Working pressure	0.5-5 bar
Connection size	G3/8
Projection	192 mm
Backflow prevention (EN1717)	AA
Material	Brass

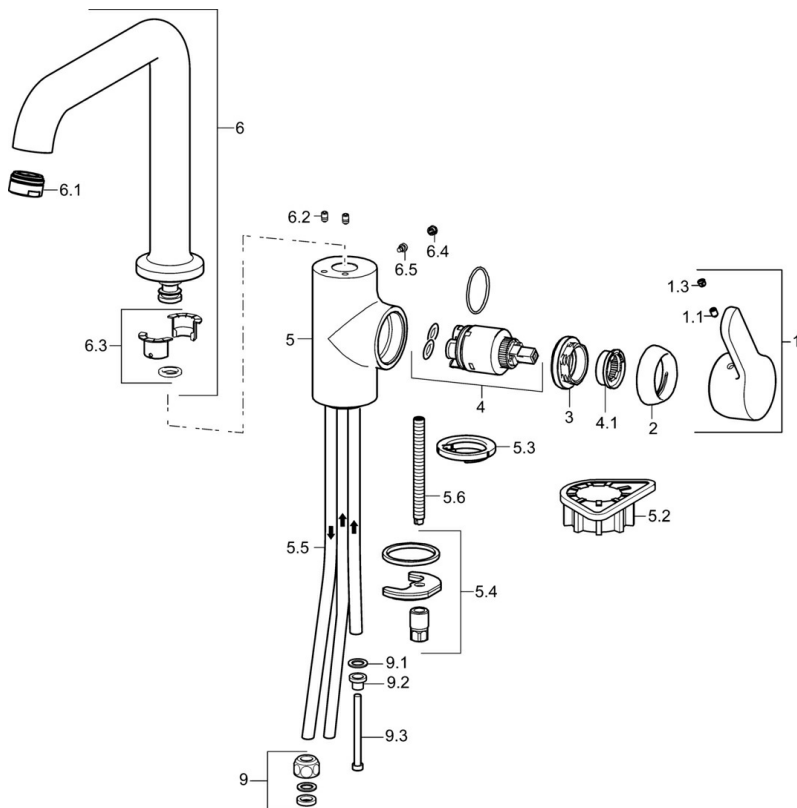
Regulations

EN standard	EN 817
-------------	---------------

Approvals and Declarations

Declaration of conformity	DoC
---------------------------	------------

Spare parts



SP49221103

	Name	Code
1	Lever	59914196
1.1	Screw, M5x8, SW2.5	59904755
1.3	Symbol plug Grey	59912112
2	Covering cap, 33x3 mm	59912504
3	Tightening nut, M40x1	1003409V
4	Cartridge, 3.5 Classic	59913075
4.1	Temperature adjustment limiter	59912325
5.2	Supporting plate	59910008
5.3	Bottom seal	59914591
5.4	Fixing set	59910749
5.5	Pipe, M8x1, L=560	59912806
5.6	Fixing screw, M8x1, L=140	59912474
6	High spout	59914202
6.1	Aerator, M24x1 A, low pressure	59902692
6.2	Fixing screw, M4x8	59913989
6.3	Sealing kit	59911884
6.4	Cover plug	59911840
6.5	Screw, M4x7	59902075
9	Fitting nut	59904969
9.1	Sealing kit, 14.9x8.5x1	59902352
9.2	Sealing kit, 10x8	59902272
9.3	Hose	59902151