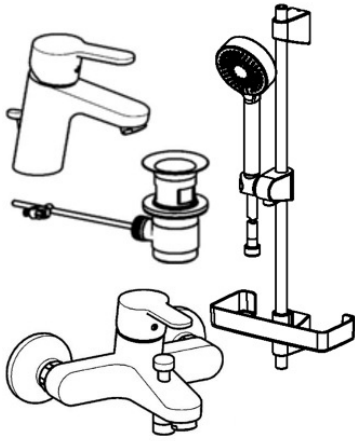


EAN: 4015474262782
static.hansa.com/49000000



- Bathroom
- Chrome
- Limitation option for maximum temperature and flow-rate, Adjustable hot water stop (included, retrofittable)
- ø 35 mm ceramic cartridge for flow and temperature control
- Rapid installation system



Technical data

Technical properties

DN-size (nominal dimension)	DN15
Working pressure	0.5-10 bar

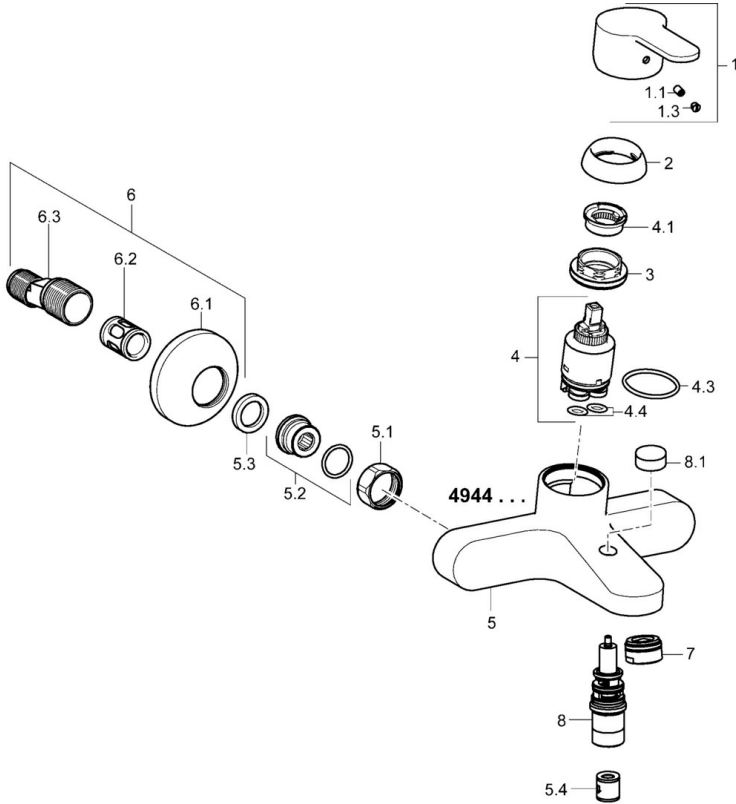
Regulations

EN standard	EN 817
Noise class	I (ISO 3822)

Approvals and Declarations

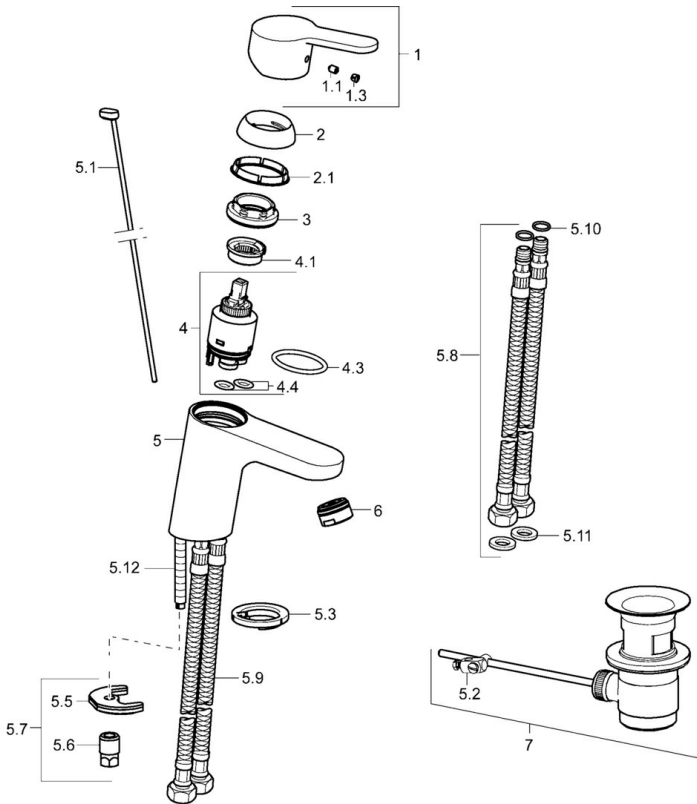
KIWA	K6116/08
DVGW	NW-6506CN0242
ABP	PA-IX 38250/ICB
Declaration of conformity	DoC

Spare parts



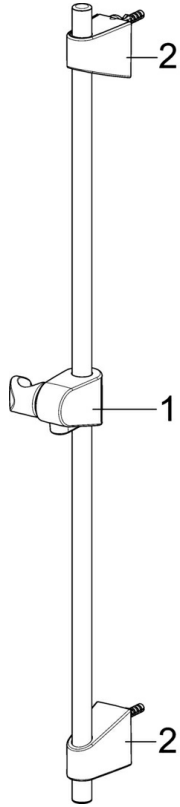
SP49442103

	Name	Code
1	Lever	59913827
1.1	Screw, M5x8, SW2.5	59904755
1.3	Symbol plug Grey	59912112
2	Covering cap, 33x3 mm	59912504
3	Tightening nut, M40x1	1003409V
4	Cartridge, 3.5 Eco	59912324
4	Cartridge, 3.5 Classic	59913075
4.1	Temperature adjustment limiter	59912325
4.3	O-ring, d 28.24x2.62 Discontinued	59912590
4.4	O-ring, d 10.10x1.60 Discontinued	59905072
5.1	Connection nut, G3/4, AF30	59902230
5.2	Connector	59913400
5.3	Retaining ring, 23.9x15.2x2	59902689
5.4	Non-return valve	59905714
6	Eccentric, G3/4xG1/2	59904793
6.1	Cover flange	59904796
6.2	Silencer	59904792
6.3	Eccentric connector, G3/4xG1/2, DN15	59910254
7	Aerator, M24x1 C	59913401
8	Diverter	59912706
8.1	Diverter knob	59913402
N.I.	Key, SW30/34	59912108



SP49402203

	Name	Code
1	Lever	59913827
1.1	Screw, M5x8, SW2.5	59904755
1.3	Symbol plug Grey	59912112
2	Covering cap, 33x3 mm	59912504
2.1	Gasket, 45x35.5x5.4	59913651
3	Tightening nut, M40x1	1003409V
4	Cartridge, 3.5 Eco	59912324
4	Cartridge, 3.5 Classic	59913075
4.1	Temperature adjustment limiter	59912325
4.3	O-ring, d 28.24x2.62 Discontinued	59912590
4.4	O-ring, d 10.10x1.60 Discontinued	59905072
5.1	Pop-up operating rod	59913067
5.2	Swivel joint	59904624
5.3	Bottom seal	59914591
5.5	Fixing plate	59904765
5.6	Screw, M8x1, SW13	59904766
5.7	Fixing set	59912113
5.8	Flexible pipe, L=430, G3/8-M10x1 RH Discontinued	59913213
5.9	Flexible pipe, L=430, G3/8-M10x1	59912515
5.10	O-ring, d 7.65x1.78	59902337
5.11	Gasket, 9.5x14.4x2	59912551
5.12	Fixing screw, M8x1, L=140	59912474
6	Aerator, M24x1, 6 l/min	59913727
7	Pop-up waste	59904620
7	Pop-up waste, (2019-)	59914764
N.I.	Key, SW30/34	59912108



SP44780113

	Name	Code
01	Slide for shower rail	59914392
02	Wall support	59914394