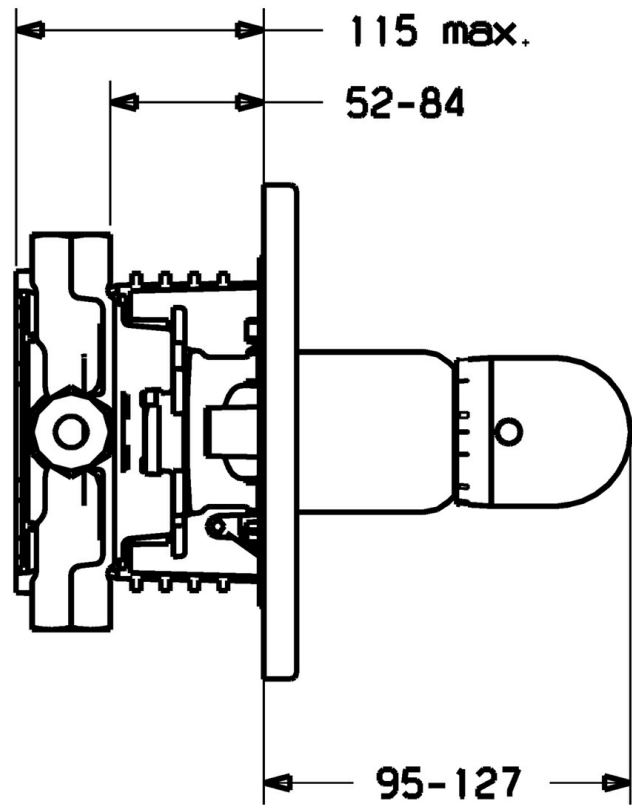


EAN: 4015474113848  
[static.hansa.com/48659045](https://static.hansa.com/48659045)



- Shower solutions
- Thermostatic, Trim Kit
- Concealed wall mounting
- Chrome
- Temperature control handle
- Thermostatic cartridge for automatic temperature control, Non-return valve(s)
- Round rosette



## Technical data

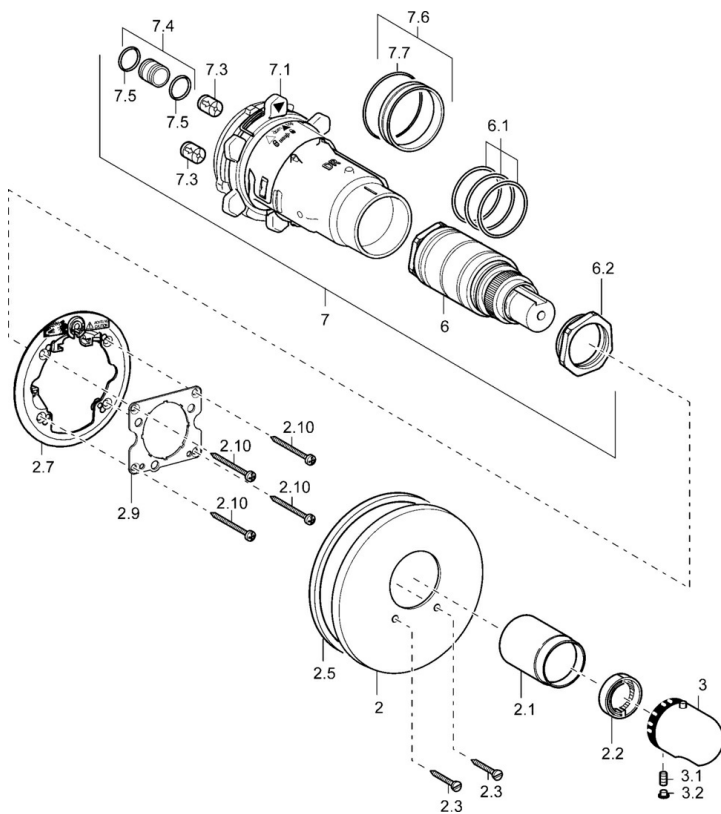
### Technical properties

Hot water supply	<b>max. +80°C</b>
Working pressure	<b>1-10 bar</b>
Backflow prevention (EN1717)	<b>EB</b>

### Regulations

EN standard	<b>EN 1111</b>
-------------	----------------

## Spare parts



### SP48659045

	Name	Code
2	Cover flange, d 56 mm	59913078
2	Cover flange, d 170/56 mm Discontinued	59912928
2	Cover flange, d 135 / d 56 mm Discontinued	59912882
2.1	Covering cap Discontinued	59912891
2.2	Retaining ring	59912892
2.3	Screw, M5x25	59912881
2.5	Rubber gasket	59913045
2.7	Fixing part	59912888
2.9	Fixing plate	59913034
2.10	Screw, M4.5x80	59912890
3	Temperature control handle	59910304
3	Temperature control handle Chrome/Satin Discontinued	59910305
3.1	Screw, M6x9.5	59901609
3.2	Plug Chrome/Satin Discontinued	59911917
3.2	Cover plug	59911840
6	Thermostatic cartridge, H/C reversed	59911527
6	Thermostatic cartridge	59911525
6.1	O-ring, d 26x2	59911081
6.2	Eye screw, M34x1, AF36	59912988
7	Functional unit Discontinued	59912903
7.1	Blind nut	59912984
7.3	Non-return valve	59905714
7.4	Connection nipple, (2014-)	59913885
7.5	O-ring, d 14x2	59912982
7.6	Ring	59912989
7.7	O-ring, 50.52x1.78	59906841
N.I.	Rebound pin	59912005
N.I.	Raising kit, 20 mm	59912754