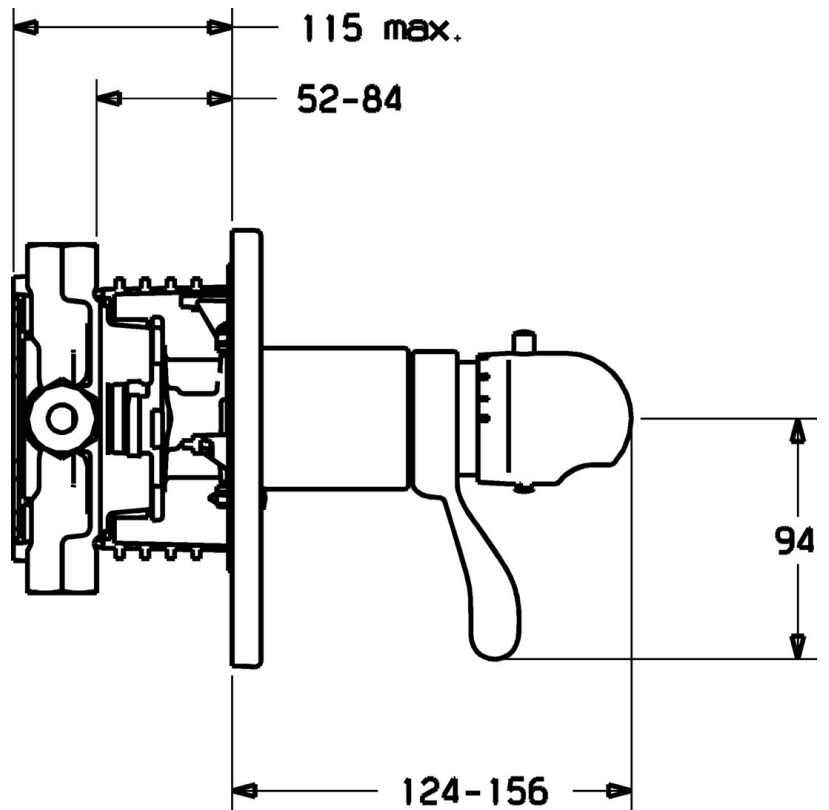
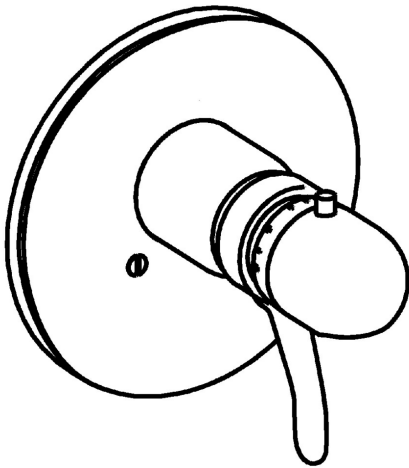


EAN: 4015474112896
static.hansa.com/48619045



- Shower solutions
- Thermostatic, Trim Kit
- Concealed wall mounting
- Chrome
- Temperature control handle
- Thermostatic cartridge for automatic temperature control, Non-return valve(s)
- Round rosette, Cover plate fixed with screws



Technical data

Flow properties

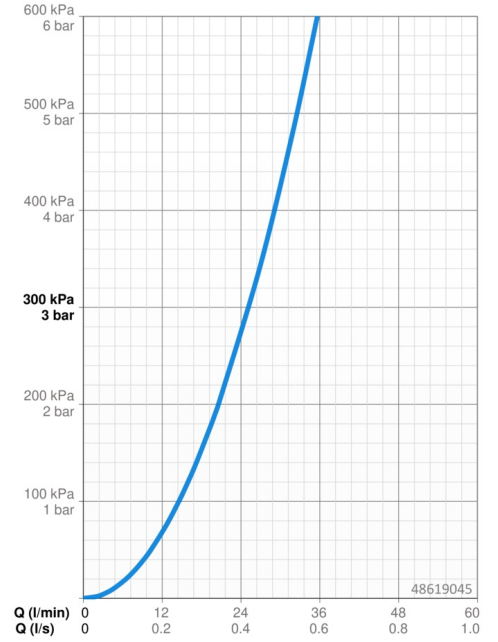
Flow-rate at 3 bar **25.2 l/min**

Technical properties

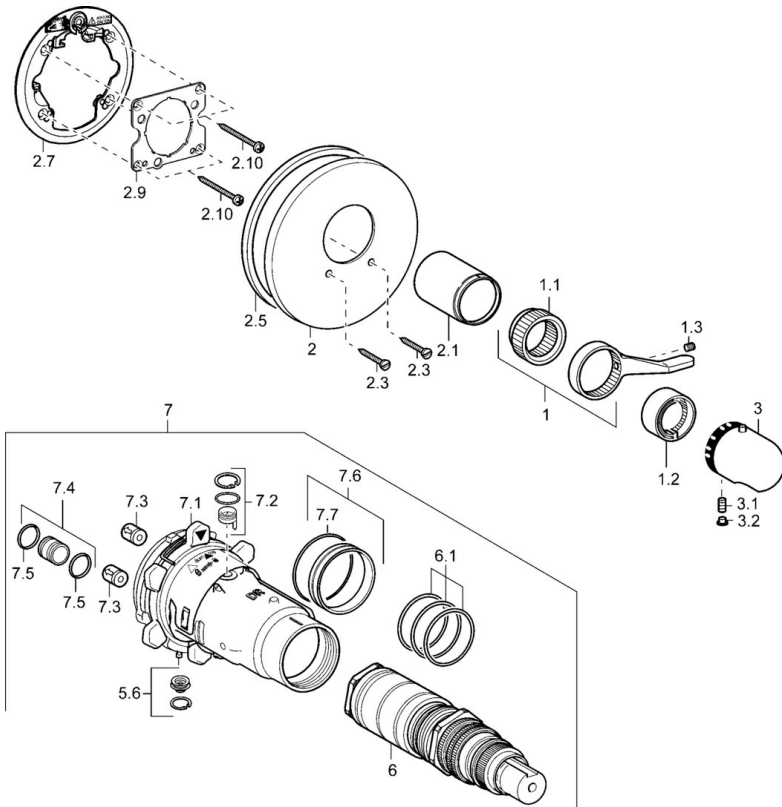
Hot water supply **max. +80°C**
Working pressure **1-10 bar**
Backflow prevention (EN1717) **EB**

Regulations

EN standard **EN 1111**



Spare parts



SP48619045

	Name	Code
1	Lever	59912895
1.1	Adapter	59912894
1.2	Temperature adjustment limiter	59912893
1.3	Screw, M6x16, SW2.5	59911727
2	Cover flange, d 170/56 mm Discontinued	59912928
2.1	Covering cap Discontinued	59912896
2.3	Screw, M5x25	59912881
2.5	Rubber gasket	59913045
2.7	Fixing part	59912888
2.9	Fixing plate	59913034
2.10	Screw, M4.5x80	59912890
3	Temperature control handle	59910304
3	Temperature control handle White Discontinued	59910306
3.1	Connection nipple, (2014-)	59913885
3.1	Screw, M6x9.5	59901609
3.2	Cover plug	59911840
3.3	Rebound pin	59912005
5.6	Plug	59912981
6	Thermostatic cartridge, 1/2" Varox	59912843
6.1	O-ring, d 26x2	59911081
7	Functional unit, H/C reversed Discontinued	59912979
7	Functional unit Discontinued	59912904
7.1	Blind nut	59912984
7.3	Non-return valve	59905714
7.4	Connection nipple, (2014-)	59913885
7.5	O-ring, d 14x2	59912982
7.6	Ring	59912989
7.7	O-ring, 50.52x1.78	59906841
N.I.	Raising kit, 20 mm	59912754