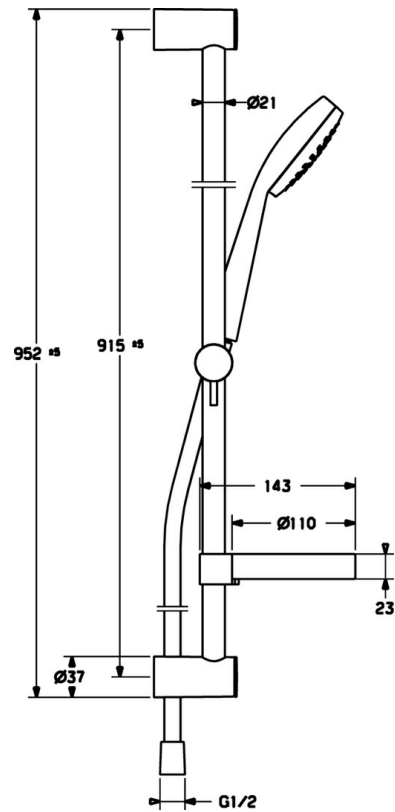
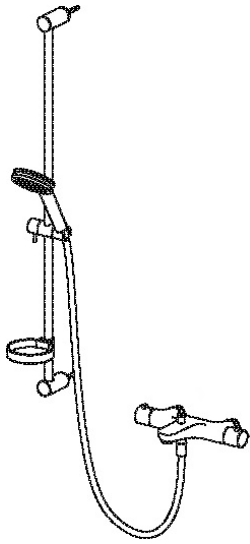


EAN: 4015474277670
static.hansa.com/48372031



- Bath tub & Shower
- Thermostatic
- Wall mounted
- Chrome
- Standard aerator
- Temperature control handle, Flow control handle, Eco feature for water flow
- Safety stop against scalding at 38°C
- Thermostatic cartridge for automatic temperature control, Litter filter(s), Ceramic head part for flow control
- Inner body made of DZR brass
- Without couplings
- protected against back-flow in domestic use (according to DIN EN 1717)
- 3 spray functions



Technical data

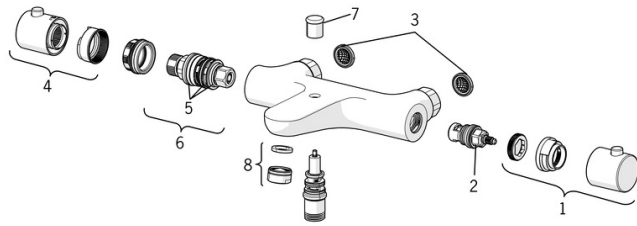
Technical properties

| | |
|-----------------------------|-------------------|
| DN-size (nominal dimension) | DN15 |
| Hot water supply | max. +80°C |
| Working pressure | 1-10 bar |

Regulations

| | |
|-------------|----------------|
| EN standard | EN 1111 |
|-------------|----------------|

Spare parts



SP58372101

| | Name | Code |
|------|-----------------------------|----------|
| 01 | Flow control handle | 59914208 |
| 02 | Headpart, G1/2 | 59914111 |
| 03 | Filter sealing, G3/4 | 59911076 |
| 04 | Temperature control handle | 602062V |
| 05 | O-ring kit | 59914113 |
| 06 | Thermostatic cartridge, 3.4 | 59914114 |
| 07 | Diverter | 59912706 |
| 08 | Aerator, M24x1 D | 59911829 |
| N.I. | Connection nut, G3/4, AF30 | 59902230 |
| N.I. | Retaining ring, 23.9x15.2x2 | 59902689 |
| N.I. | Eccentric, G3/4xG1/2 | 59904793 |
| N.I. | Cover flange | 59904796 |
| N.I. | Non-return valve | 59905714 |
| N.I. | Nipple | 59911075 |