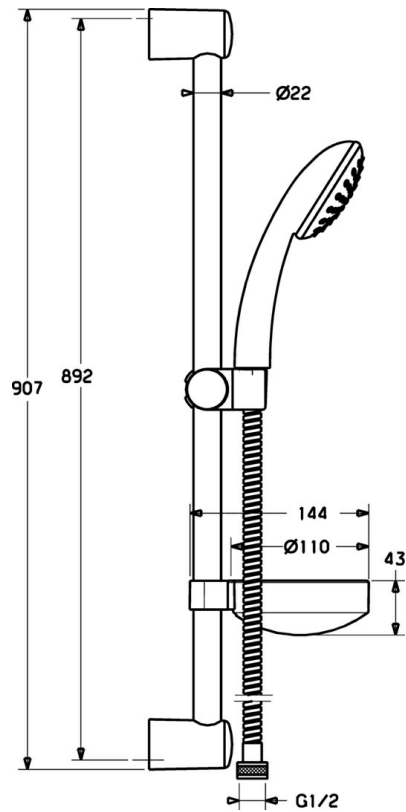
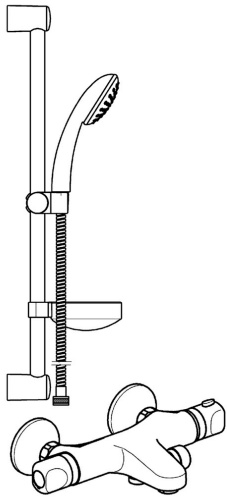


EAN: 4015474133143
static.hansa.com/48162191



- Bathtub & Shower
- Thermostatic
- Wall mounted
- Chrome
- Standard aerator
- Temperature control handle, Flow control handle
- Thermostatic cartridge for automatic temperature control, Litter filter(s), Non-return valve(s)
- Silencer(s)



Technical data

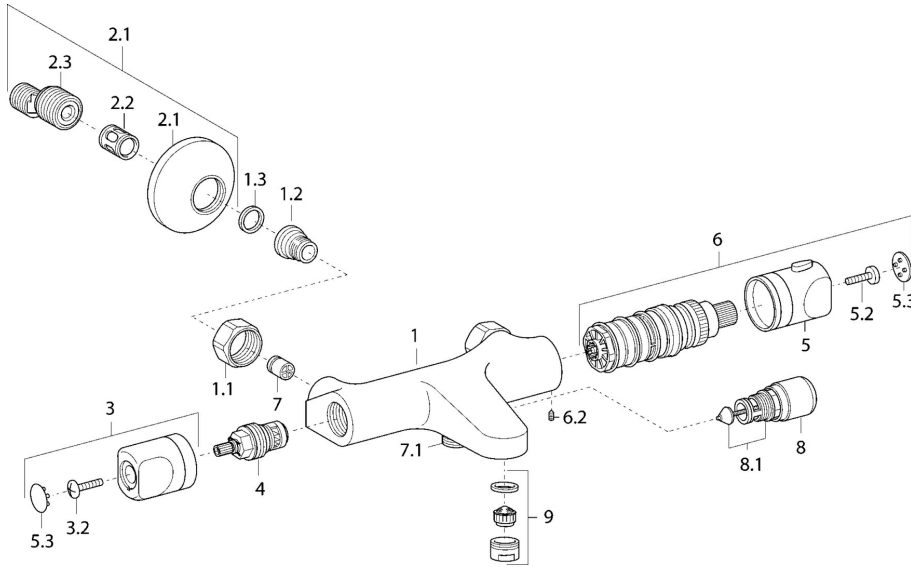
Technical properties

Hot water supply	max. +80°C
Working pressure	1-10 bar
Backflow prevention (EN1717)	EB

Regulations

EN standard	EN 1111
-------------	----------------

Spare parts



SP58162101

	Name	Code
1.1	Connection nut, G3/4, AF30	59902230
1.2	Nipple	59911075
1.3	Filter sealing, G3/4	59911076
2	Eccentric, G3/4xG1/2	59904793
2.1	Cover flange	59904796
2.2	Silencer	59904792
2.3	Eccentric connector, G3/4xG1/2, DN15	59910254
3	Flow control handle	59912627
4	Headpart, G1/2	59912625
5	Temperature control handle	59912629
6	Thermostatic cartridge	59912628
7	Non-return valve	59905714
8	Diverter	59910803
8.1	Sealing kit	59904791
9	Aerator, M24x1 D	59911829
N.I.	Retaining ring Discontinued	59913890