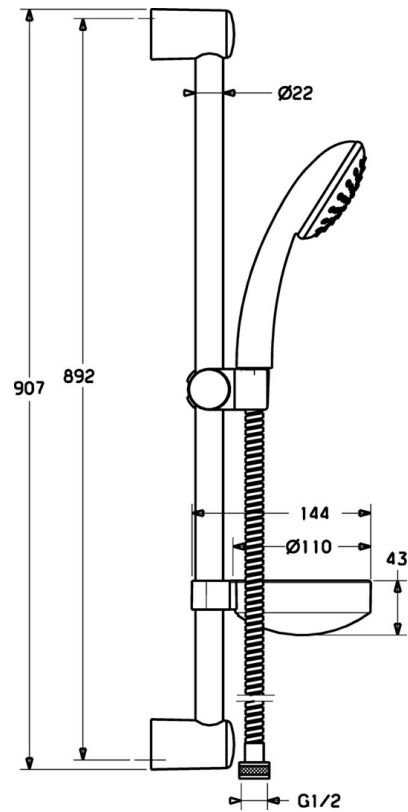
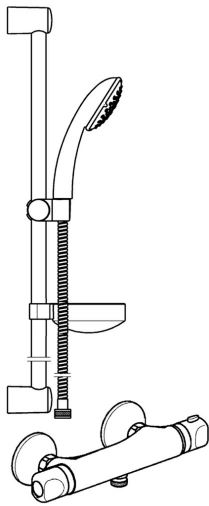


EAN: 4015474128446
static.hansa.com/48150191



- Shower solutions
- Thermostatic
- Wall mounted
- Chrome
- Temperature control handle, Flow control handle
- Thermostatic cartridge for automatic temperature control, Litter filter(s), Non-return valve(s)
- Silencer(s)



Technical data

Technical properties

Hot water supply	max. +80°C
Working pressure	1-10 bar
Backflow prevention (EN1717)	EB

Regulations

EN standard	EN 1111
-------------	----------------

Spare parts

SP48150191

	Name	Code
1.1	Connection nut, G3/4, AF30	59902230
1.2	Nipple	59911075
1.3	Retaining ring, 23.9x15.2x2	59902689
1.4	Filter sealing, G3/4	59911076
2	Eccentric, G3/4xG1/2	59904793
2.1	Cover flange	59904796
2.2	Silencer	59904792
2.3	Eccentric connector, G3/4xG1/2, DN15	59910254
3	Flow control handle	59912627
4	Headpart, G1/2, 90°, (2004-)	59912626
5	Temperature control handle	59912629
6	Thermostatic cartridge	59912628
7	Non-return valve	59905714
7.1	Thread nipple, G1/2xM18x1	59911384
9	Wall support Discontinued	59912599
10	Slide for shower rail, d 22 mm	59912595
11	Hand shower Discontinued	44620100
12	Shower hose, L=1750	59912596
13	Gasket ring, d 21x12x2	59912304
14	Soap tray	59912598
N.I.	Protective cap Discontinued	59913901