

EAN: 4057304021558
static.hansa.com/4813042181



HANSAPRISMA. A Harmony of Simplicity and Elegance.

The timeless silhouette of an ancient, handcrafted bridge, perfectly mirrored in tranquil waters, evolves into a slender and elegant cylindrical thermostat. Meticulously designed handles seamlessly complete the form without compromising functionality, exuding elegance from every angle.

The perfect designed handles completing the design without losing its functionality. It becomes easy with simple, in few movements to adjust flow and temperature for your desired settings for the perfect shower experience.

AURELIA draws design inspiration from the exquisite elements of wild nature. From the graceful Lotus flower transformed into a spray face, designed for pure enjoyment, to the simplest curve of a tiny waterdrop.

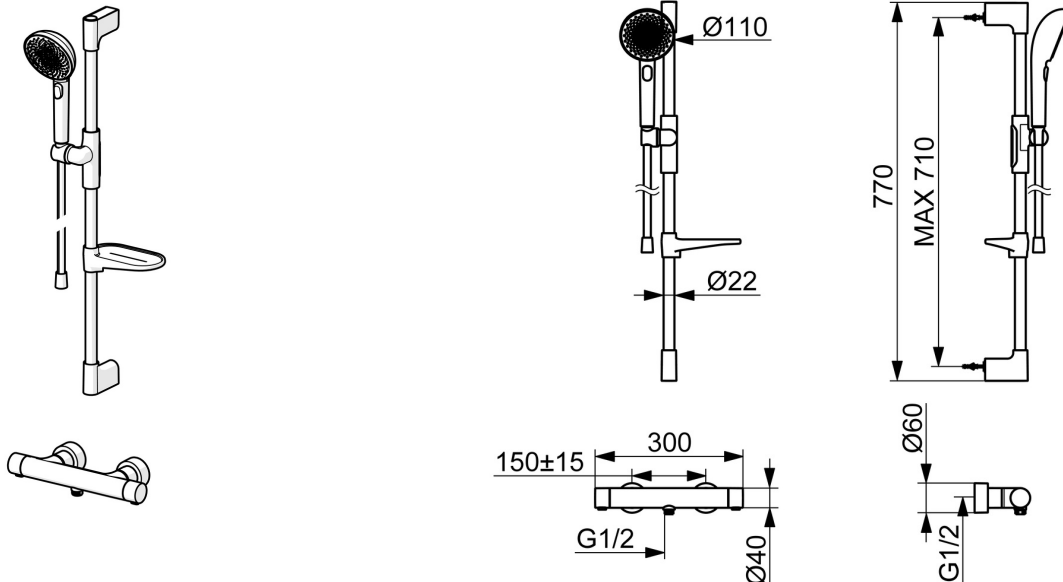
110mm – 3 spray face Handshower

Easy push diverter for simple selection of spray face

Easy to adjust shower holder

ELEVATING YOUR MOMENTS

- Shower solutions
- Thermostatic
- Wall mounted
- Brushed bronze
- Temperature control handle, Flow control handle, Hot/Cold symbols, Eco feature for water flow
- Hand shower, Shower rail, Adjustable shower rail bracket, Soap dish, Shower hose (1750 mm), Variable fixing points, Anti limescale technology (easy to clean), Twist guard for shower hose
- Pulsating - Strong water stream for massage or body treatment, Intense - invigorating water stream, Relaxing - Soft water stream, pleasant for entire body
- Safety stop against scalding at 38°C, The housing of the fittings conducts minimal heat
- Ceramic head part for flow control, Thermostatic cartridge for automatic temperature control, Non-return valve(s), Litter filter(s)
- Eccentric coupling(s), Cover plate(s), Silencer(s)
- Inner body made of DZR brass, Flexible length / can be shortened, Anti-twist hose connector
- 3 spray functions



Technical data

Flow properties

Eco-flow at 3 bar	10.2 l/min
Flow-rate at 3 bar	10.8 l/min

Technical properties

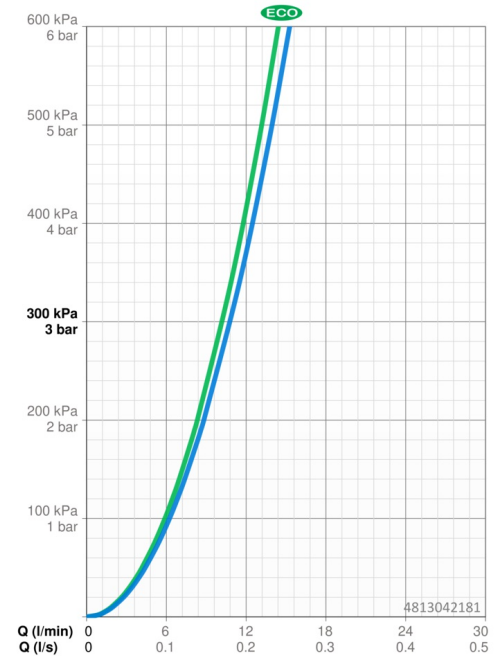
Hot water supply	max. +65°C
Working pressure	1-10 bar
Connection size	G3/4
Installation width	150 ± 15 mm
Length / Height	770 mm
Backflow prevention (EN1717)	EB
Material	Brass/Plastic

Regulations

EN standard	EN 1111, EN 1112, EN 1113
Noise class	I (ISO 3822)

Approvals and Declarations

Declaration of conformity	DoC
---------------------------	------------



Spare parts

SP58080301CLR

	Name	Code
01	Temperature control handle Matt black	1018476V-33
01	Temperature control handle Brushed steel	1018476V-80
01	Temperature control handle Brushed bronze	1018476V-81
02	Thermostatic cartridge, 3,4	59914114
03	Non-return valve, DW15/DN10K	1018484V
04	Headpart, G1/2	59914207
05	Flow control handle Matt black	1018478V-33
05	Flow control handle Brushed steel	1018478V-80
05	Flow control handle Brushed bronze	1018478V-81

