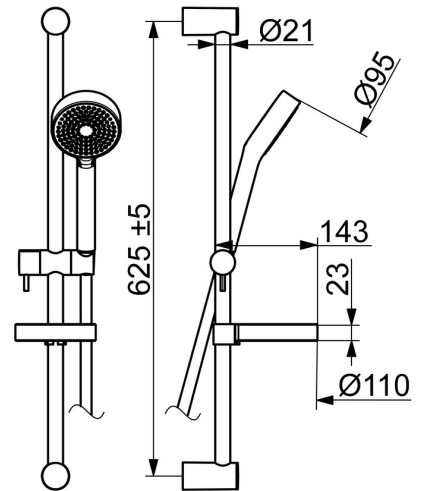
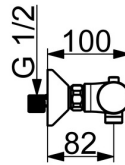
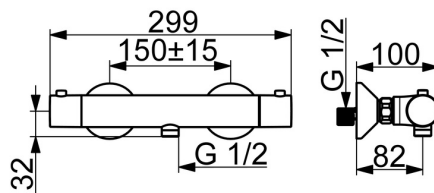
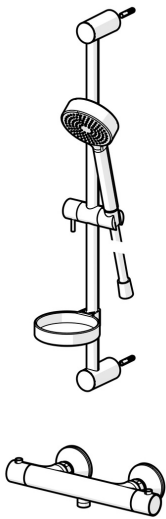


EAN: 4015474257504
static.hansa.com/48130121



- Shower solutions
- Thermostatic
- Wall mounted
- Chrome
- Temperature control handle, Flow control handle, Eco feature for water flow
- Hand shower, Soap dish, Shower hose (1750 mm)
- Normal - Even and soft water stream
- Adjustable hot water stop (included, retrofittable), Safety stop against scalding at 38°C
- Ceramic head part for flow control, Thermostatic cartridge for automatic temperature control, Non-return valve(s), Litter filter(s)
- Eccentric coupling(s), Silencer(s)
- Inner body made of DZR brass, Flexible length / can be shortened
- protected against back-flow in domestic use (according to DIN EN 1717)
- 1 spray function



Technical data

Flow properties

Flow-rate at 3 bar **12.0 l/min**

Technical properties

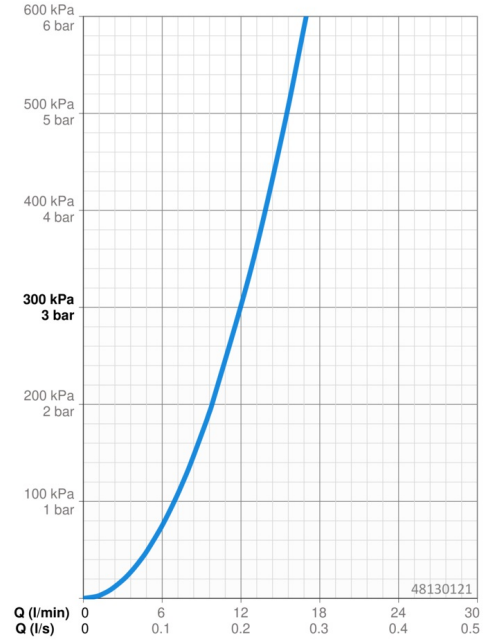
DN-size (nominal dimension) **DN15**
 Hot water supply **max. +80°C**
 Working pressure **1-10 bar**
 Installation width **150 ± 15 mm**
 Backflow prevention (EN1717) **EB**

Regulations

EN standard **EN 1111, EN 1112, EN 1113**

Approvals and Declarations

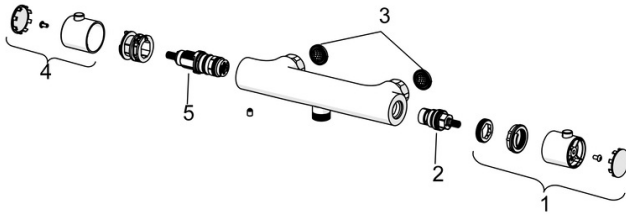
Declaration of conformity **DoC**
 EPD **S-P-07819**



Spare parts

SP58130101

	Name	Code
01	Flow control handle	59913854
02	Headpart, G1/2, 180°	59911103
03	Filter sealing, G3/4	59911076
04	Temperature control handle	59913852
05	Thermostatic cartridge, 2.7	59913823



SP58130101(2018)

	Name	Code
01	Flow control handle	59914208
02	Headpart, G1/2	59914207
03	Filter sealing, G3/4	59911076
04	Temperature control handle	602062V
05	Thermostatic cartridge, 3.4	59914114

