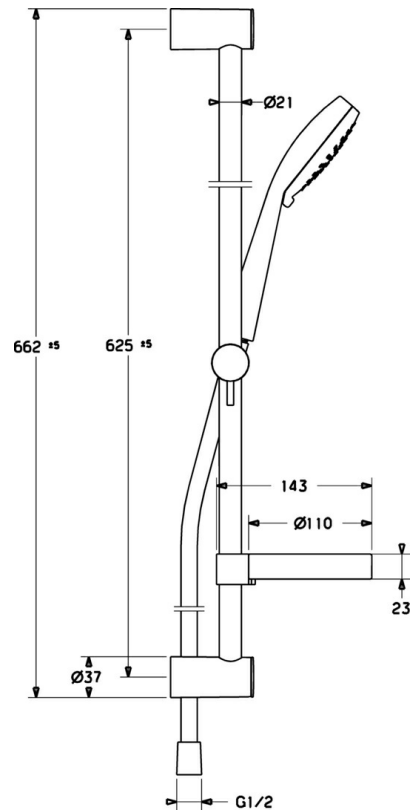
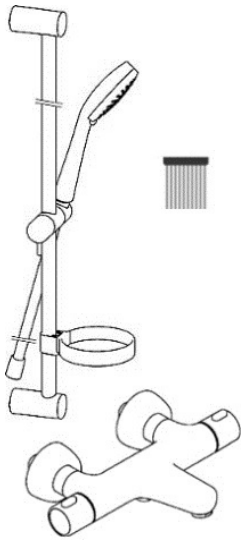


EAN: 4015474259348
static.hansa.com/48102121



- Bath tub & Shower
- Thermostatic
- Wall mounted
- Chrome
- Standard aerator
- Temperature control handle, Flow control handle
- Integrated into flow control handle
- Adjustable hot water stop (included, retrofittable), Safety stop against scalding at 38°C
- Thermostatic cartridge for automatic temperature control, Litter filter(s), Non-return valve(s)
- Eccentric coupling(s), Cover plate(s), Silencer(s)
- Inner body made of DZR brass, Thermal disinfection without cartridge readjustment
- protected against back-flow in domestic use (according to DIN EN 1717)
- 1 spray function



Technical data

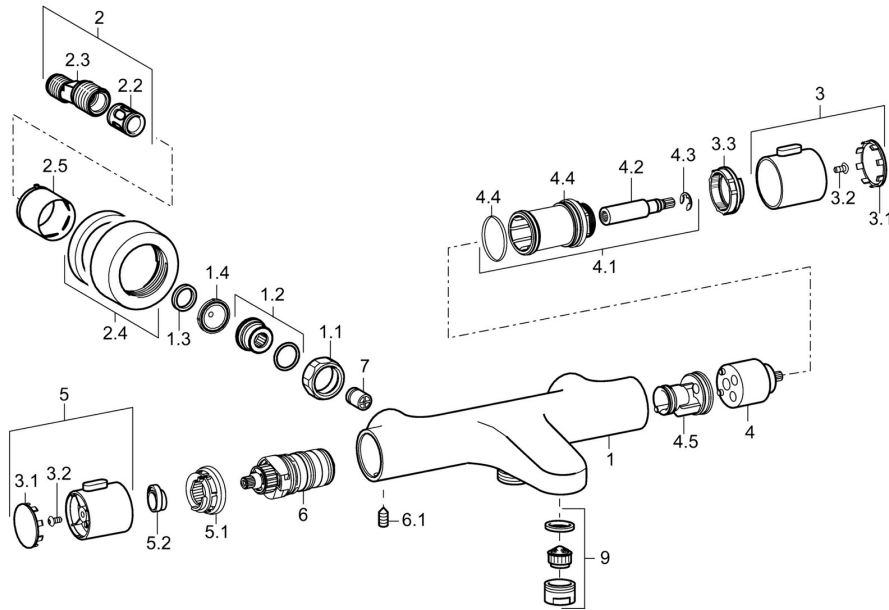
Technical properties

Hot water supply	max. +80°C
Working pressure	1-10 bar
Installation width	150 ± 15 mm
Backflow prevention (EN1717)	EB

Regulations

EN standard	EN 1111
-------------	----------------

Spare parts



SP58102101

	Name	Code
1.1	Connection nut, G3/4, AF30	59902230
1.2	Nipple	59911075
1.3	Retaining ring, 23.9x15.2x2	59902689
1.4	Filter sealing, G3/4	59911076
2	Eccentric connector, G3/4xG1/2, DN15	59910254
2.2	Silencer	59904792
2.4	Cover flange	59913432
2.5	Cover sleeve	59912651
3	Flow control handle	59913939
3.1	Cover	59913850
3.2	Screw, M4x8	59913851
3.3	Adjusting ring	59913940
4	Headpart	59913936
4.1	Fixing screw, SW30	59913941
4.2	Spindle	59913689
4.4	O-ring, d 32x2	59912803
4.5	Inner part	59913942
5	Temperature control handle	59913938
5.1	Temperature adjustment limiter	59913937
5.2	Locking screw, 38°	59913919
6	Thermostatic cartridge, 3.3	59913871
6.1	Screw, M6x9.5	59901609
7	Non-return valve, DN10 (2016-)	59914425
9	Aerator, M24x1 D	59911829