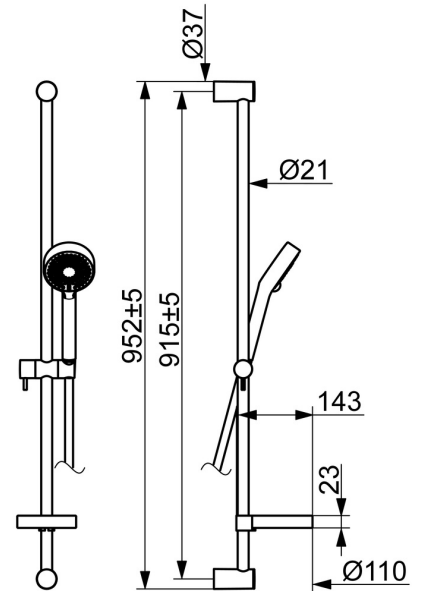
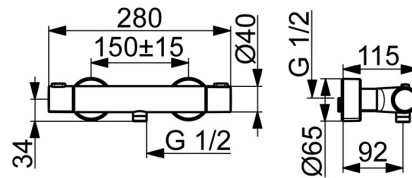
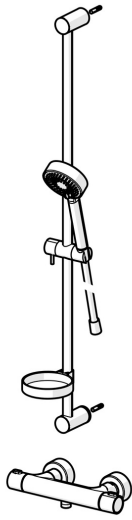


EAN: 4015474259324
static.hansa.com/48080131



- Shower solutions
- Thermostatic
- Wall mounted
- Chrome
- Temperature control handle, Flow control handle, Eco feature for water flow
- Soap dish, Shower hose (1750 mm), Eco flow control
- Normal - Even and soft water stream, Refreshing - Strong water stream, activates and refreshes body, Relaxing - Soft water stream, pleasant for entire body
- Adjustable hot water stop (included, retrofittable), Safety stop against scalding at 38°C
- Thermostatic cartridge for automatic temperature control, Litter filter(s), Ceramic head part for flow control, Non-return valve(s)
- Eccentric coupling(s), Cover plate(s), Silencer(s)
- Inner body made of DZR brass, Thermal disinfection without cartridge readjustment, Flexible length / can be shortened
- protected against back-flow in domestic use (according to DIN EN 1717)
- 3 spray functions



Technical data

Flow properties

Flow-rate at 3 bar **12.0 l/min**

Technical properties

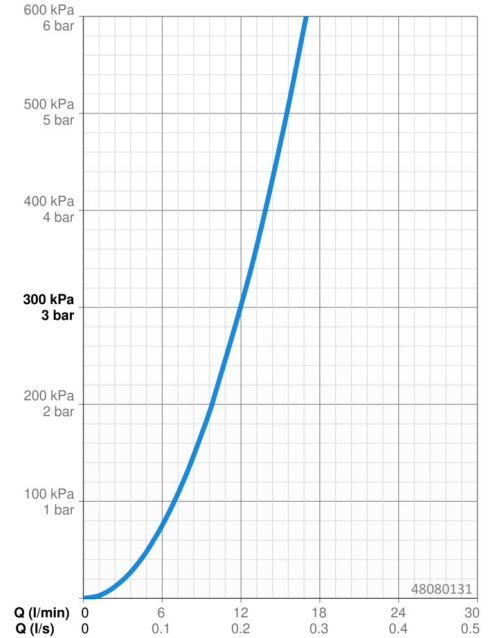
DN-size (nominal dimension) **DN15**
 Hot water supply **max. +80°C**
 Working pressure **1-10 bar**
 Installation width **150 ± 15 mm**
 Backflow prevention (EN1717) **EB**

Regulations

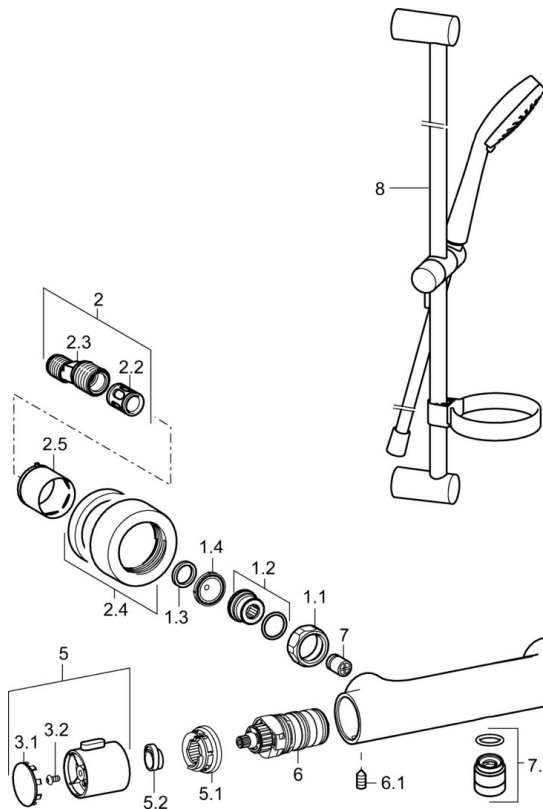
EN standard **EN 1111, EN 1112, EN 1113**

Approvals and Declarations

Declaration of conformity **DoC**



Spare parts



SP58080101

	Name	Code
1.1	Connection nut, G3/4, AF30	59902230
1.2	Nipple	59911075
1.3	Retaining ring, 23.9x15.2x2	59902689
1.4	Filter sealing, G3/4	59911076
2	Eccentric connector, G3/4xG1/2, DN15	59910254
2.2	Silencer	59904792
2.4	Cover flange	59913432
2.5	Cover sleeve	59912651
3	Flow control handle	59913943
3.1	Cover	59913850
3.2	Screw, M4x8	59913851
3.3	Adjusting ring	59913940
4	Headpart, G1/2, 180°	59911103
4.1	Ring	59913469
5	Temperature control handle	59913938
5.1	Temperature adjustment limiter	59913937
5.2	Locking screw, 38°	59913919
6	Thermostatic cartridge, 3.3	59913871
6.1	Screw, M6x9.5	59901609
7	Non-return valve, DN10 (2016-)	59914425
7.1	Thread nipple, G1/2xM18x1	59911384