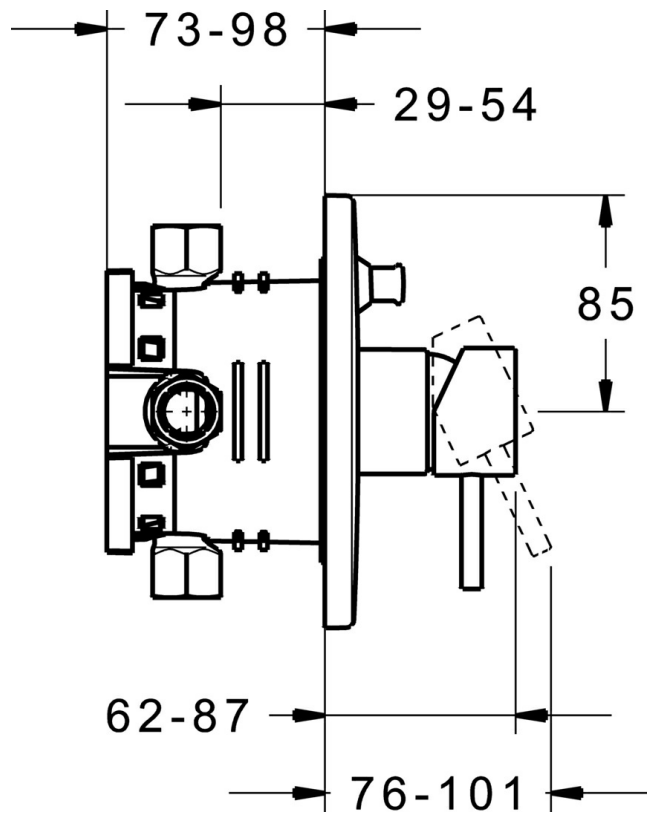
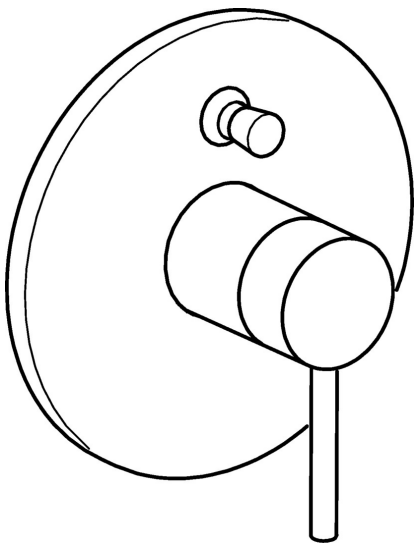


EAN: 4015474139961  
[static.hansa.com/47849041](http://static.hansa.com/47849041)



- Bathtub & Shower
- Single-lever, Trim Kit
- Concealed wall mounting
- Chrome
- Single operating lever/handle, Hot/Cold symbols
- Round rosette



## Technical data

### Flow properties

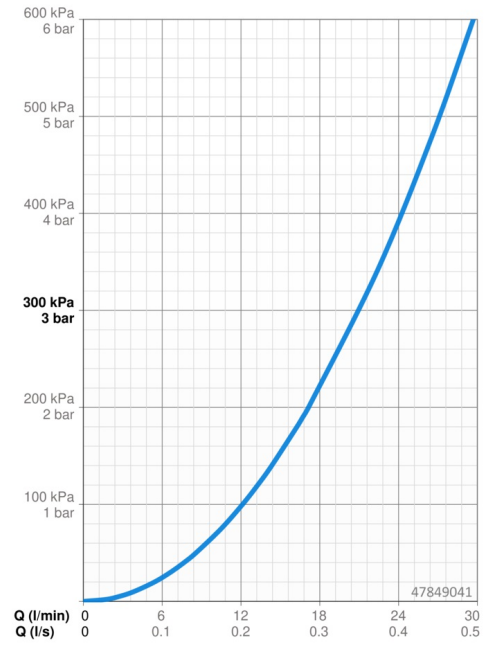
Flow-rate at 3 bar **21.0 / 21.0 l/min**

### Technical properties

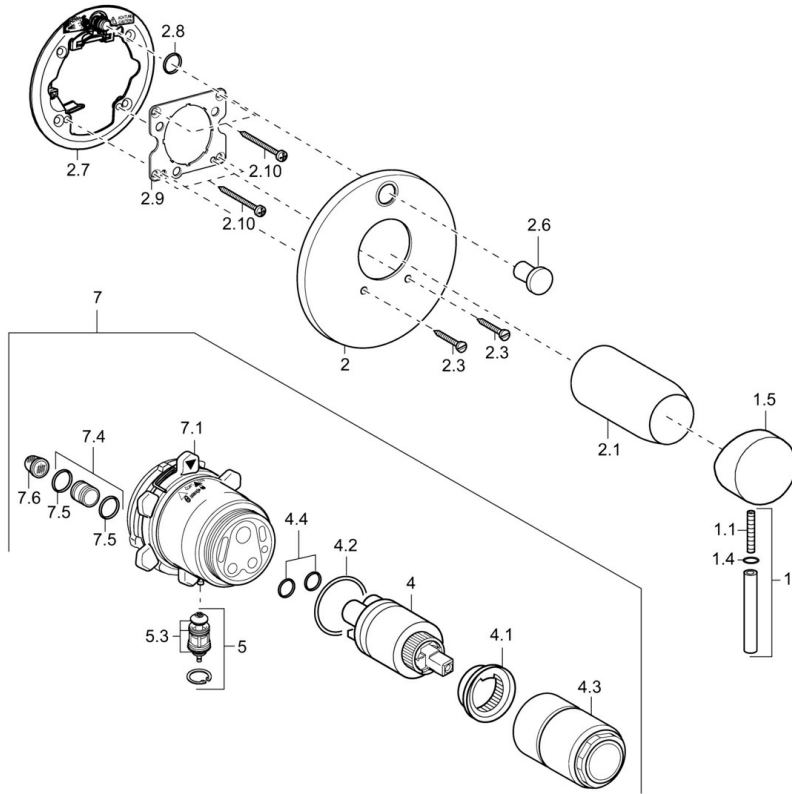
Hot water supply **max. +80°C**  
 Working pressure **0.5-10 bar**

### Regulations

EN standard **EN 817**



## Spare parts



### SP47849041

	Name	Code
1	Lever, 45 mm, (2011-)	59913272
1	Lever, 50 mm, d 7 mm	59913097
1.1	Screw, M5x25, SW 2,5	59913099
1.1	Screw, M5x28, SW2.5	59913273
1.4	O-ring, d 3x1.5	59913100
1.5	Cap	59913098
1.5	Cap, (2011-)	59913271
2	Cover plate, d 135 mm, (-2011)	59913107
2	Cover plate, d 170 mm Discontinued	59913403
2.1	Cover sleeve	59912511
2.1	Cover sleeve	59912116
2.3	Screw, M5x25	59912881
2.6	Push button	59913656
2.6	Push button Discontinued	59912884
2.7	Supporting plate Discontinued	59913050
2.7	Supporting plate	59913048
2.8	O-ring, d 7.65x1.78	59902337
2.9	Fixing plate	59913034
2.10	Screw, M4.5x80	59912890
4	Cartridge, 3.5 Classic	59913075
4.1	Temperature adjustment limiter	59912325
4.2	O-ring, d 28.24x2.62 Discontinued	59912590
4.3	Screw sleeve, M38x1	59912115
4.4	O-ring, d 10.10x1.60 Discontinued	59905072
5	Diverter	59912985
5.3	Sealing kit Discontinued	59912997
7	Functional unit, 3.5 (2011-) Discontinued	59913380
7	Functional unit, 3.5 Discontinued	59912937
7	Functional unit, H/C reversed	59912978
7.1	Blind nut	59912984
7.4	Connection nipple, (2014-)	59913885
7.5	O-ring, d 14x2	59912982
7.6	Strainer	59913126
N.I.	Flow limiting cap	59912924
N.I.	Raising kit, 20 mm	59912754