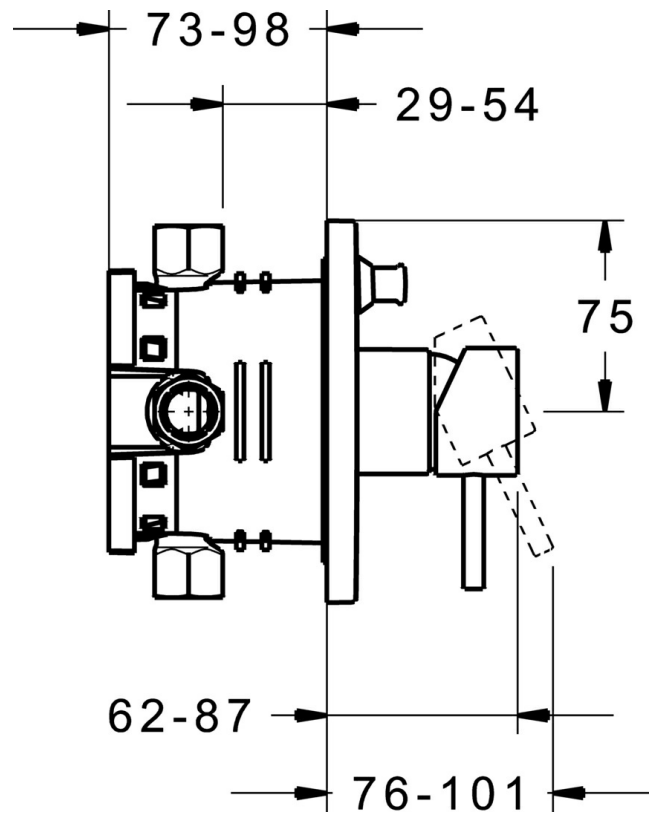
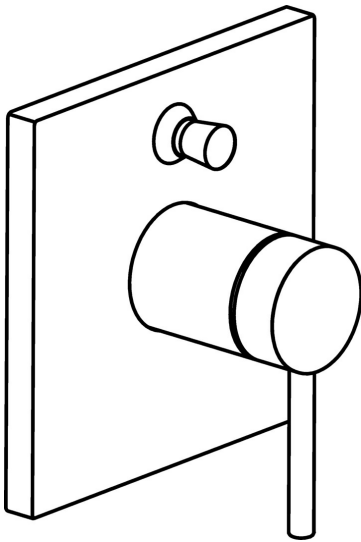


EAN: 4015474268043
static.hansa.com/47843051



- Bathtub & Shower
- Single-lever, Trim Kit
- Concealed wall mounting
- Chrome
- Single operating lever/handle, Hot/Cold symbols
- Non-return valve(s)
- Square rosette



Technical data

Flow properties

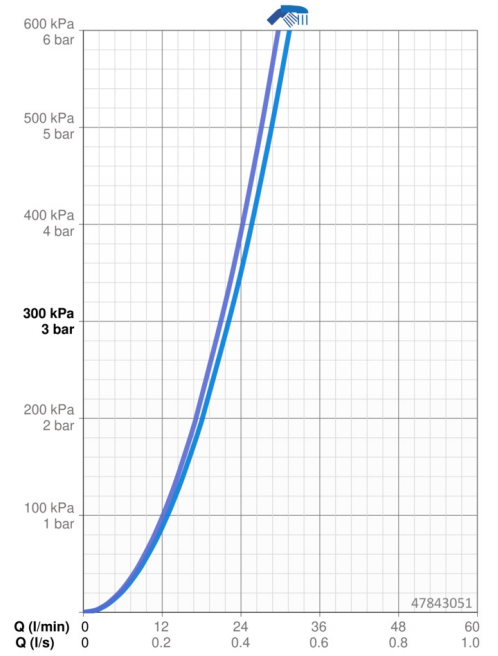
Flow-rate at 3 bar **22.2 / 21.0 l/min**

Technical properties

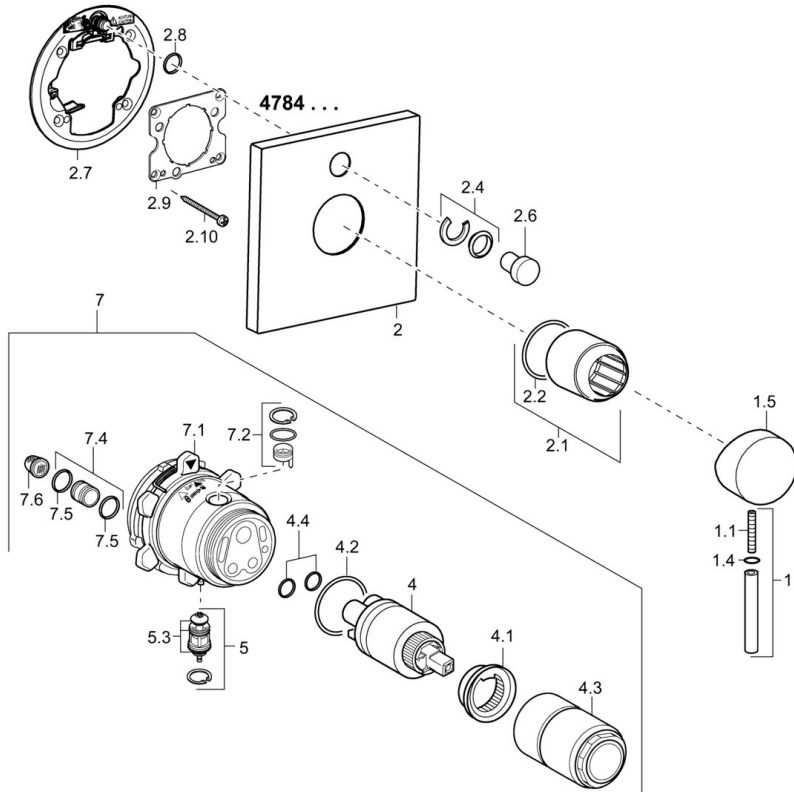
Hot water supply **max. +80°C**
 Working pressure **0.5-10 bar**
 Backflow prevention (EN1717) **LB**

Regulations

EN standard **EN 817**



Spare parts



SP47843051

	Name	Code
1	Lever, 45 mm, (2011-)	59913272
1.1	Screw, M5x28, SW2.5	59913273
1.4	O-ring, d 3x1.5	59913100
1.5	Cap, (2011-)	59913271
2	Cover flange, 150x150 mm	59914004
2.1	Cover sleeve	59912511
2.2	O-ring, 41x3	59913215
2.6	Push button	59913656
2.7	Supporting plate	59913048
2.8	O-ring, d 7.65x1.78	59902337
2.9	Fixing plate	59913034
2.10	Screw, M4,5x80	59912890
4	Cartridge, 3.5 Classic	59913075
4	Cartridge, 3.5 Eco	59912324
4.1	Temperature adjustment limiter	59912325
4.2	O-ring, d 28.24x2.62 Discontinued	59912590
4.3	Screw sleeve, M38x1	59912115
4.4	O-ring, d 10.10x1.60 Discontinued	59905072
5	Diverter	59912985
5.3	Sealing kit Discontinued	59912997
7	Functional unit, 3.5 Discontinued	59913379
7	Functional unit, H/C reversed	59912978
7.1	Blind nut	59912984
7.2	Valve	59912986
7.4	Connection nipple, (2014-)	59913885
7.5	O-ring, d 14x2	59912982
7.6	Strainer	59913126
N.I.	Raising kit, 20 mm	59912754