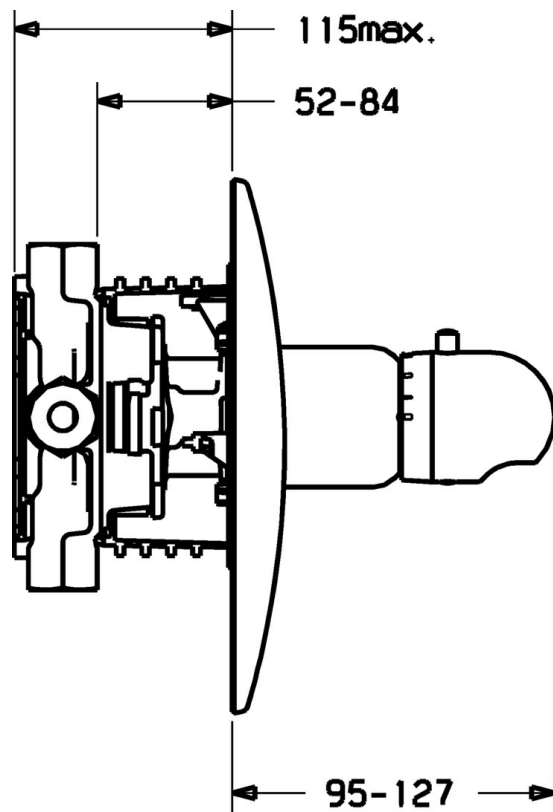


EAN: 4015474112834  
[static.hansa.com/47659045](https://static.hansa.com/47659045)



- Shower solutions
- Thermostatic
- Concealed wall mounting
- Chrome
- Temperature control handle
- Thermostatic cartridge for automatic temperature control, Non-return valve(s)



## Technical data

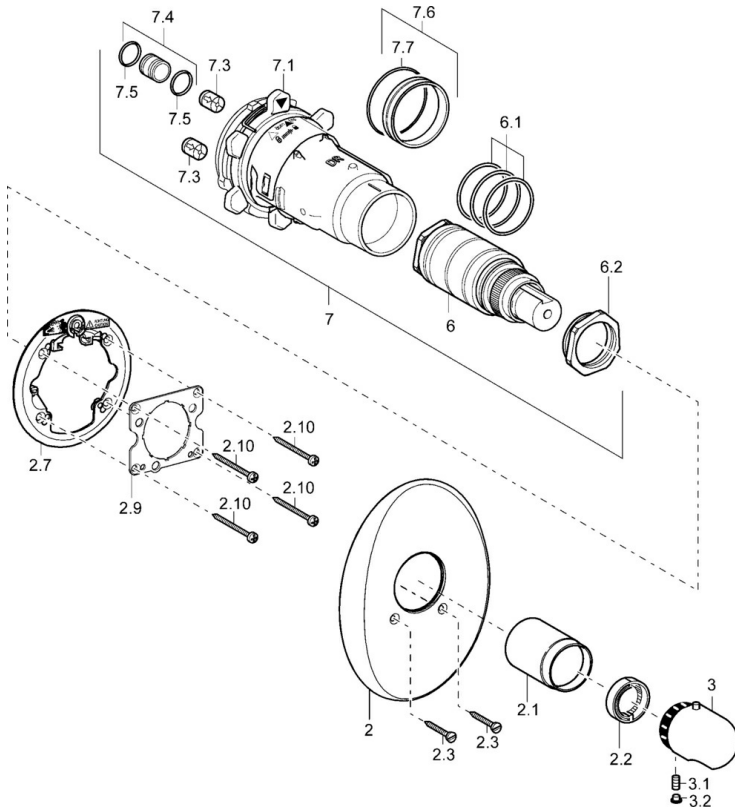
### Technical properties

Hot water supply	<b>max. +80°C</b>
Working pressure	<b>1-10 bar</b>
Backflow prevention (EN1717)	<b>EB</b>

### Regulations

EN standard	<b>EN 1111</b>
-------------	----------------

## Spare parts



### SP47659045

	Name	Code
2	Cover plate Discontinued	59911913
2.1	Covering cap Discontinued	59912891
2.2	Retaining ring	59912892
2.3	Screw, M5x25	59912881
2.7	Fixing part	59912888
2.9	Fixing plate	59913034
2.10	Screw, M4.5x80	59912890
3	Temperature control handle Chrome/Satin Discontinued	59910305
3	Temperature control handle, (-38°)	59911280
3	Temperature control handle	59910304
3.1	Screw, M6x9.5	59901609
3.2	Cover plug	59911840
3.2	Plug Chrome/Satin Discontinued	59911917
6	Thermostatic cartridge, H/C reversed	59911527
6	Thermostatic cartridge	59911525
6.1	O-ring, d 26x2	59911081
6.2	Eye screw, M34x1, AF36	59912988
7	Functional unit Discontinued	59912903
7.1	Blind nut	59912984
7.3	Non-return valve	59905714
7.4	Connection nipple, (2014-)	59913885
7.5	O-ring, d 14x2	59912982
7.6	Ring	59912989
7.7	O-ring, 50.52x1.78	59906841
N.I.	Rebound pin	59912005
N.I.	Raising kit, 20 mm	59912754