

EAN: 4057304021275
static.hansa.com/4719910333



HANSAAURELIA A Harmony of Simplicity and Elegance.

The design of HANSAAURELIA is characterized by pure, fluid shapes—timeless in their simplicity yet subtly complex in execution. This results in a delicate dance between the straightforward and the intricate, visually capturing nature's own balance.

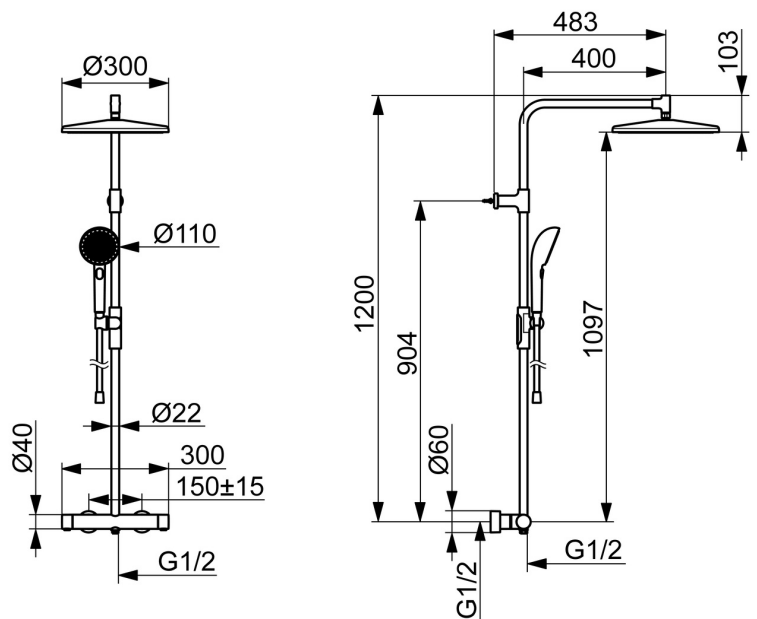
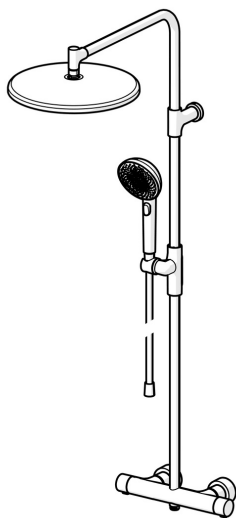
Stand beneath the cascading water to experience a symphony of sensations, as clever design ensures efficient water distribution, embracing the complete body in refreshing and rejuvenating comfort.

Elevate your daily ritual with HANSAAURELIA, where every drop becomes a celebration of inherent beauty.

w/ s-connectors and covers
 1-spray, Ø300 overhead shower
 3-spray Ø110 hand shower
 1750mm hose

ELEVATING YOUR MOMENTS

- Shower solutions
- Thermostatic
- Wall mounted
- Matt black
- Temperature control handle, Flow control handle, Hot/Cold symbols, Eco feature for water flow
- Turn operated diverter, Integrated into flow control handle
- Hand shower, Shower rail, Swivel overhead shower, Lockable in the middle position, Adjustable shower rail bracket, Shower hose (1750 mm), Variable fixing points, Rotatable ball joint connection, Anti limescale technology (easy to clean), Twist guard for shower hose
- Pulsating - Strong water stream for massage or body treatment, Intense - invigorating water stream, Relaxing - Soft water stream, pleasant for entire body
- Safety stop against scalding at 38°C, The housing of the fittings conducts minimal heat
- Ceramic head part for flow control, Thermostatic cartridge for automatic temperature control, Non-return valve(s), Litter filter(s)
- Eccentric coupling(s), Cover plate(s), Silencer(s)
- Flexible length / can be shortened, Anti-twist hose connector
- 3 spray functions



Technical data

Flow properties

Eco-flow at 3 bar	9.6 l/min
Flow-rate at 3 bar	10.2 l/min

Technical properties

Hot water supply	max. +65°C
Working pressure	1-10 bar
Connection size	G3/4
Installation width	150 ± 15 mm
Backflow prevention (EN1717)	EB
Material	Brass/Plastic

Regulations

EN standard	EN 1111, EN 1112, EN 1113
Noise class	I (ISO 3822)

Approvals and Declarations

Declaration of conformity	DoC
---------------------------	------------

