

EAN: 4057304020650  
[static.hansa.com/47199103](http://static.hansa.com/47199103)



HANSAAURELIA A Harmony of Simplicity and Elegance.

The design of HANSAAURELIA is characterized by pure, fluid shapes—timeless in their simplicity yet subtly complex in execution. This results in a delicate dance between the straightforward and the intricate, visually capturing nature's own balance.

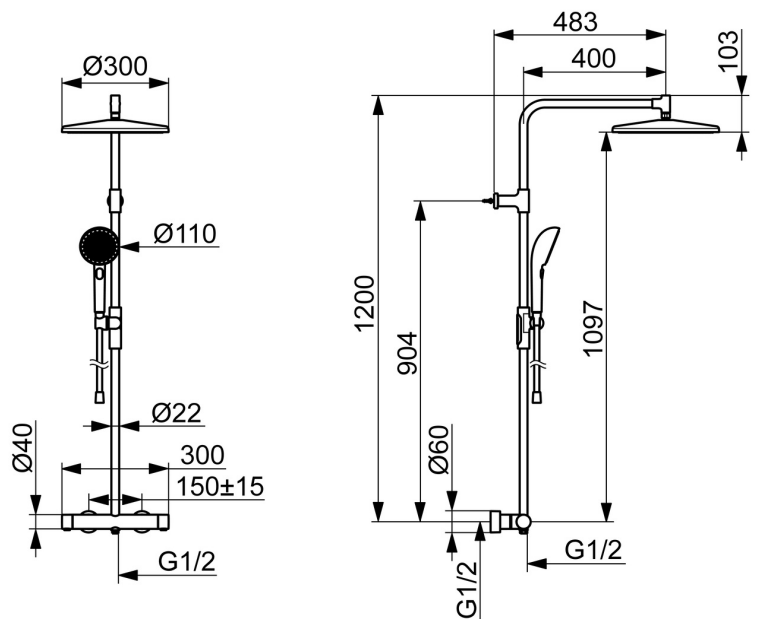
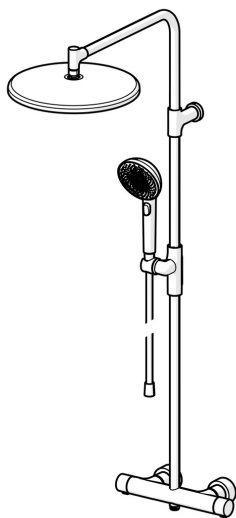
Stand beneath the cascading water to experience a symphony of sensations, as clever design ensures efficient water distribution, embracing the complete body in refreshing and rejuvenating comfort.

Elevate your daily ritual with HANSAAURELIA, where every drop becomes a celebration of inherent beauty.

w/ s-connectors and covers  
 1-spray, Ø300 overhead shower  
 3-spray Ø110 hand shower  
 1750mm hose

### ELEVATING YOUR MOMENTS

- Shower solutions
- Thermostatic
- Wall mounted
- Chrome
- Temperature control handle, Flow control handle, Hot/Cold symbols, Eco feature for water flow
- Turn operated diverter, Integrated into flow control handle
- Hand shower, Shower rail, Swivel overhead shower, Lockable in the middle position, Adjustable shower rail bracket, Shower hose (1750 mm), Variable fixing points, Rotatable ball joint connection, Anti limescale technology (easy to clean), Twist guard for shower hose
- Pulsating - Strong water stream for massage or body treatment, Intense - invigorating water stream, Relaxing - Soft water stream, pleasant for entire body
- Safety stop against scalding at 38°C, The housing of the fittings conducts minimal heat
- Ceramic head part for flow control, Thermostatic cartridge for automatic temperature control, Non-return valve(s), Litter filter(s)
- Eccentric coupling(s), Cover plate(s), Silencer(s)
- Flexible length / can be shortened, Anti-twist hose connector
- 3 spray functions



## Technical data

### Flow properties

Eco-flow at 3 bar	<b>9.6 l/min</b>
Flow-rate at 3 bar	<b>10.2 l/min</b>

### Technical properties

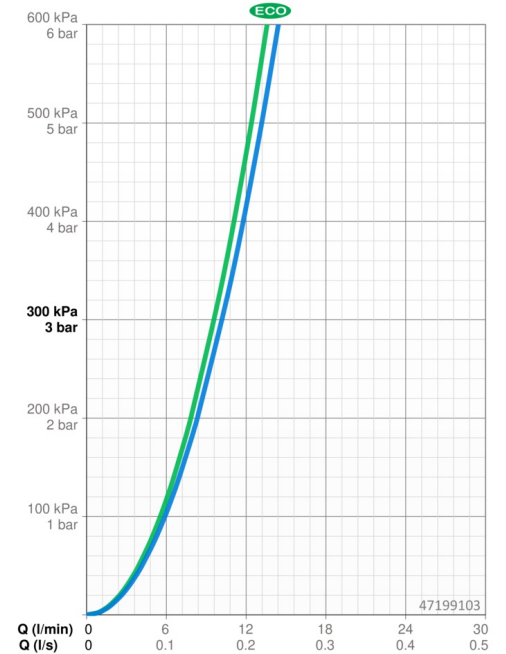
Hot water supply	<b>max. +65°C</b>
Working pressure	<b>1-10 bar</b>
Connection size	<b>G3/4</b>
Installation width	<b>150 ± 15 mm</b>
Backflow prevention (EN1717)	<b>EB</b>
Material	<b>Brass/Plastic</b>

### Regulations

EN standard	<b>EN 1111, EN 1112, EN 1113</b>
Noise class	<b>I (ISO 3822)</b>

### Approvals and Declarations

Declaration of conformity	<b>DoC</b>
---------------------------	------------



## Spare parts

### SP47199103

	<b>Name</b>	<b>Code</b>
01	Temperature control handle	1018476V
02	Thermostatic cartridge, 3.4	59914114
03	Diverter	59914183
04	Flow control handle	1018477V
05	Slide for shower rail	1018479V
06	Overhead shower, d 300 mm	1018483V
07	Non-return valve, DW15/DN10K	1018484V