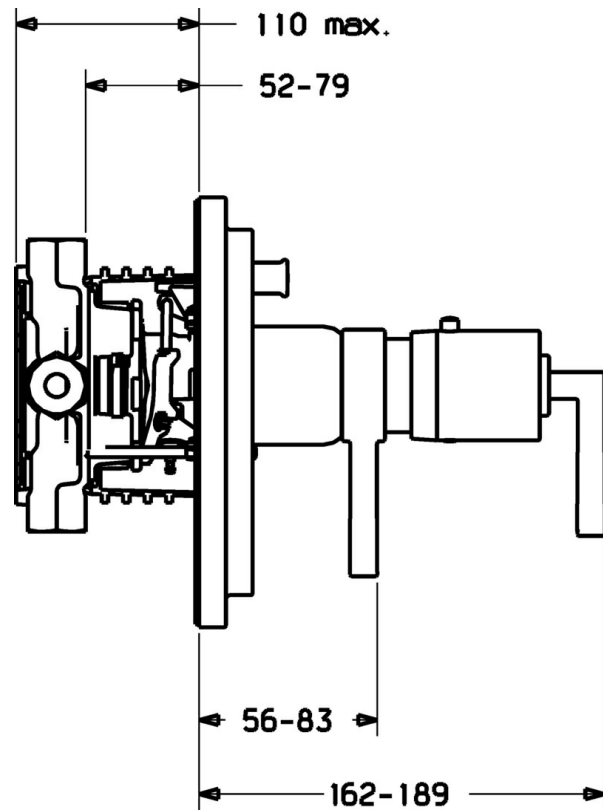


EAN: 4015474114067
static.hansa.com/47093042



- Bathtub & Shower
- Thermostatic
- Concealed wall mounting
- Chrome
- Temperature control handle
- Thermostatic cartridge for automatic temperature control, Non-return valve(s)



Technical data

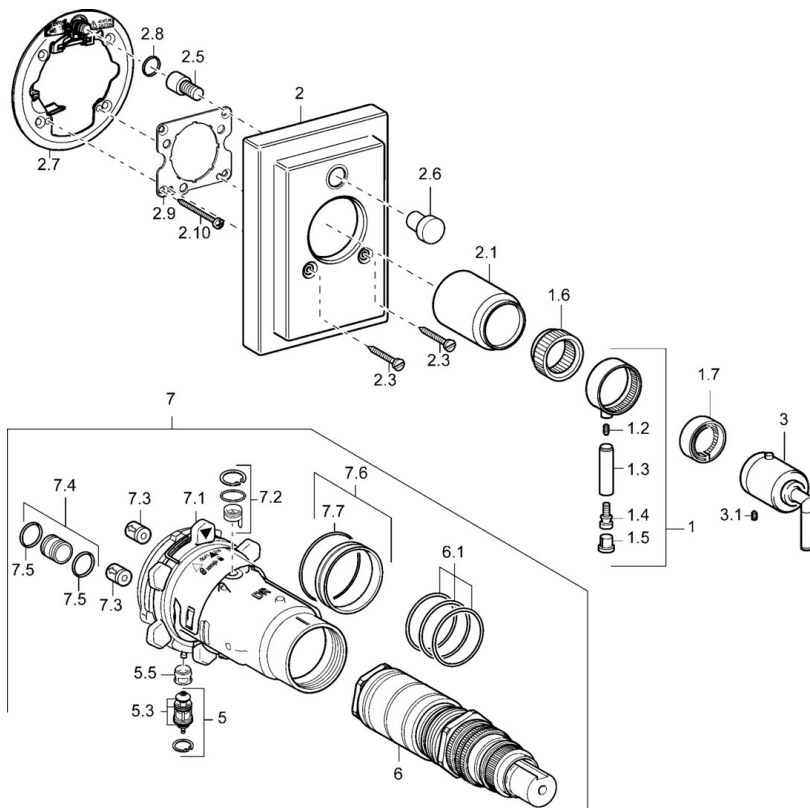
Technical properties

Hot water supply	max. +80°C
Working pressure	1-10 bar
Backflow prevention (EN1717)	EB

Regulations

EN standard	EN 1111
-------------	----------------

Spare parts



SP47093042

	Name	Code
1	Lever Discontinued	59912603
1.6	Adapter	59912894
1.7	Temperature adjustment limiter	59912893
2	Cover flange Discontinued	59913011
2.1	Covering cap Discontinued	59912896
2.3	Screw, M5x23, SW3 Discontinued	59913012
2.5	Push button Discontinued	59912940
2.6	Push button Discontinued	59912884
2.7	Fixing part	59912889
2.8	O-ring, d 7.65x1.78	59902337
2.9	Fixing plate	59913034
2.10	Screw, M4,5x80	59912890
3	Temperature control handle Discontinued	59912605
3.1	Screw, M6x16, SW2.5	59911727
5	Diverter	59912985
5.3	Sealing kit Discontinued	59912997
5.5	Seat	59912229
6	Thermostatic cartridge, 1/2" Varox	59912843
7	Functional unit Discontinued	59912906
7	Functional unit, H/C reversed Discontinued	59912979
7.1	Blind nut	59912984
7.2	Back-pressure valve	59912990
7.3	Non-return valve	59905714
7.4	Connection nipple, (2014-)	59913885
7.5	O-ring, d 14x2	59912982
7.6	Ring	59912989
7.7	O-ring, 50.52x1.78	59906841
N.I.	Raising kit, 20 mm	59912754
N.I.	Rebound pin	59912005