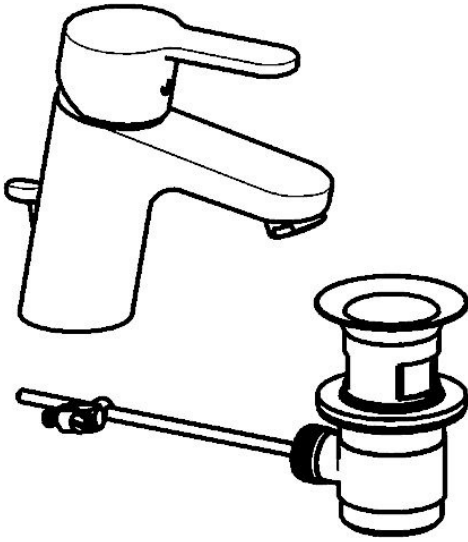


EAN: 4015474269262
static.hansa.com/464701010046



- Badkamer
- Chroom
- Temperatuurbegrenzer, Temperatuurbegrenzer (achteraf instelbaar)
- ø 35 mm keramisch binnenwerk voor debiet en temperatuur instelling
- Rapid-montagesysteem



Technische gegevens

Technische eigenschappen

| | |
|------------------|------------|
| DN-maat | DN15 |
| Warmwatertoevoer | max. +80°C |
| Werkdruk | 0.5-10 bar |

Voorschriften

| | |
|---------|--------|
| EN-norm | EN 817 |
|---------|--------|

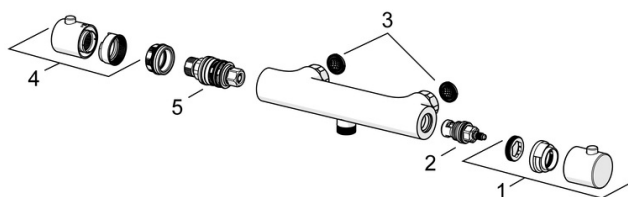
Toestemmingen en Verklaringen

| | |
|--------------------------------|---------------|
| KIWA | K6116/08 |
| DVGW | NW-6506CN0242 |
| ABP | P-IX 38251/IA |
| Verklaring van overeenstemming | DoC |

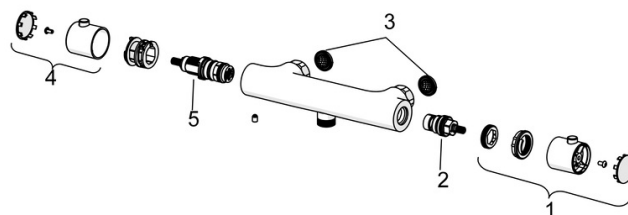
Reserveonderdelen

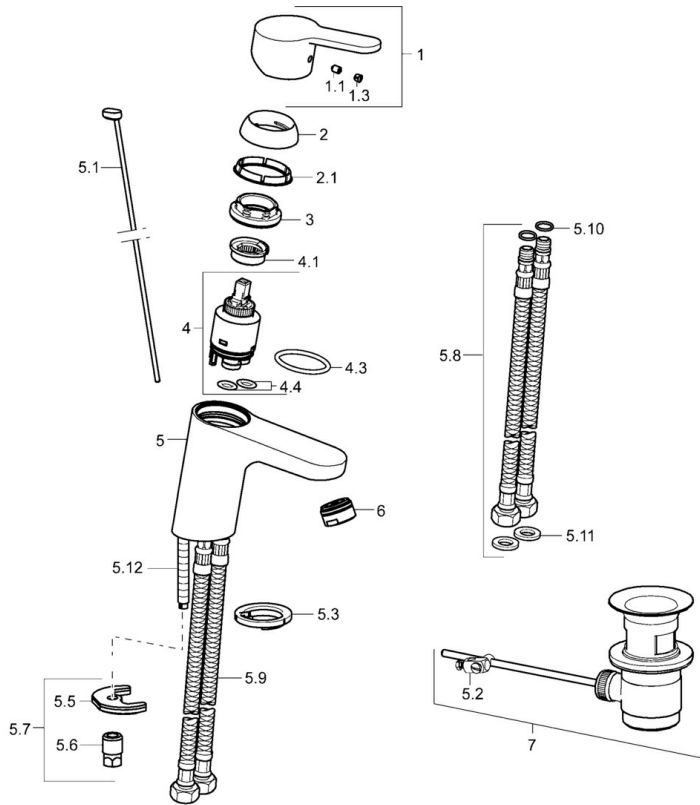
SP58130101(2018)

| | Naam | Code |
|----|-----------------------------|----------|
| 01 | Debiethendel | 59914208 |
| 02 | Binnenwerk, G1/2 | 59914207 |
| 03 | Filter dichting, G3/4 | 59911076 |
| 04 | Temperatuur hendel Chromom | 602062V |
| 05 | Thermostaat/binnenwerk, 3.4 | 59914114 |


SP58130101

| | Naam | Code |
|----|-----------------------------|----------|
| 01 | Debiethendel Chromom | 59913854 |
| 02 | Binnenwerk, G1/2, 180° | 59911103 |
| 03 | Filter dichting, G3/4 | 59911076 |
| 04 | Temperatuur hendel Chromom | 59913852 |
| 05 | Thermostaat/binnenwerk, 2.7 | 59913823 |





SP49402203

| Naam | Code | |
|------|---|----------|
| 1 | Hendel Chroom | 59913827 |
| 1.1 | Schroef, M5x8, SW2.5 | 59904755 |
| 1.3 | Sierdop Grijs | 59912112 |
| 2 | Kap, 33x3 mm Chroom | 59912504 |
| 2.1 | Dichting, 45x35.5x5.4 | 59913651 |
| 3 | Schroefring, M40x1 | 1003409V |
| 4 | Binnenwerk, 3.5 Eco | 59912324 |
| 4 | Binnenwerk, 3.5 Classic | 59913075 |
| 4.1 | Temperature adjustment limiter | 59912325 |
| 4.3 | O-ring, d 28.24x2.62 Stopgezet | 59912590 |
| 4.4 | O-ring, d 10.10x1.60 Stopgezet | 59905072 |
| 5.1 | Trekstang Chroom | 59913067 |
| 5.2 | Gewrichtstuk | 59904624 |
| 5.3 | Wasser | 59914591 |
| 5.5 | Fixing plate | 59904765 |
| 5.6 | Schroef, M8x1, SW13 | 59904766 |
| 5.7 | Bevestigingsset | 59912113 |
| 5.8 | Flexibele aansluitingen, L=430, G3/8-M10x1 RH Stopgezet | 59913213 |
| 5.9 | Flexibele aansluitingen, L=430, G3/8-M10x1 | 59912515 |
| 5.10 | O-ring, d 7.65x1.78 | 59902337 |
| 5.11 | Dichting, 9.5x14.4x2 | 59912551 |
| 5.12 | Bevestigingsschroeven, M8x1, L=140 | 59912474 |
| 6 | Mousseur, M24x1, 6 l/min Chroom | 59913727 |
| 7 | Wastegarnituur Chroom | 59904620 |
| 7 | Wastegarnituur, (2019-) Chroom | 59914764 |
| N.I. | Sleutel, SW30/34 | 59912108 |

SP44780113

| Naam | Code | |
|------|-------------------|----------|
| 01 | Schuifstuk Chroom | 59914392 |
| 02 | Muursteen Chroom | 59914394 |

