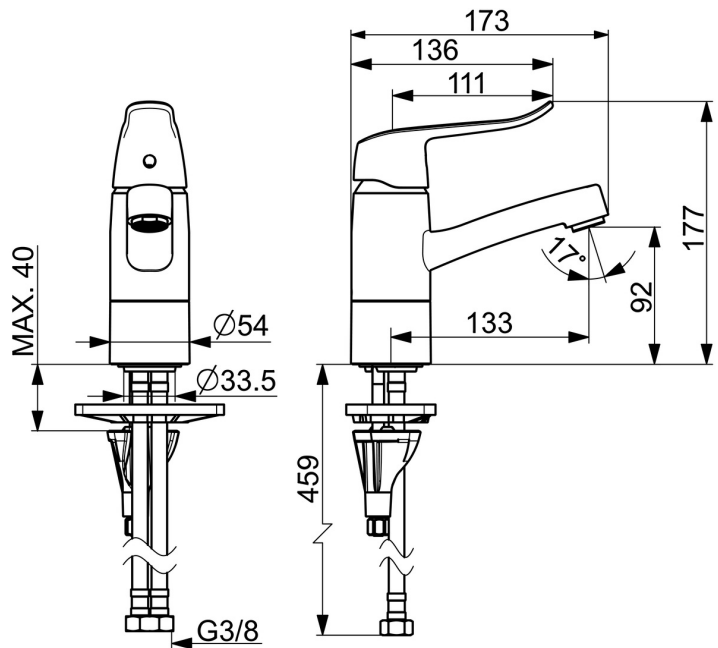
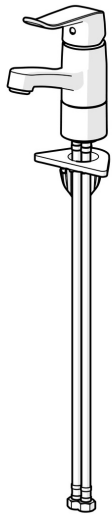


EAN: 4057304010781
static.hansa.com/46152206



- Washbasin
- Health & Care
- Single-lever
- Deck mounted
- Chrome
- Swivel spout, Swivel range limiting option
- PCA® - constant flow rate regardless of pressure variations, Standard aerator
- Long shape, Single operating lever/handle, Hot/Cold symbols
- Limitation option for maximum temperature and flow-rate, Adjustable hot water stop (included, retrofittable)
- ø 40 mm ceramic cartridge for flow and temperature control
- Flexible inlet pipes
- Inner body made of DZR brass, 3S-installation system for safe and simple mounting
- Without pop-up waste, Without draw-rod opening



Technical data

Flow properties

Flow-rate at 3 bar (with flow controller)	6.0 l/min
Pressure loss with flow (0.1 l/s)	2 bar

Technical properties

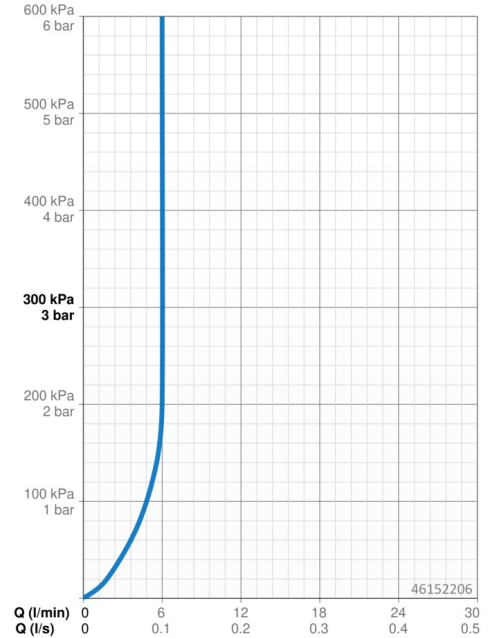
DN-size (nominal dimension)	DN15
Hot water supply	max. +70°C
Working pressure	0.5-10 bar
Connection size	G3/8
Projection	133 mm
Material	Brass

Regulations

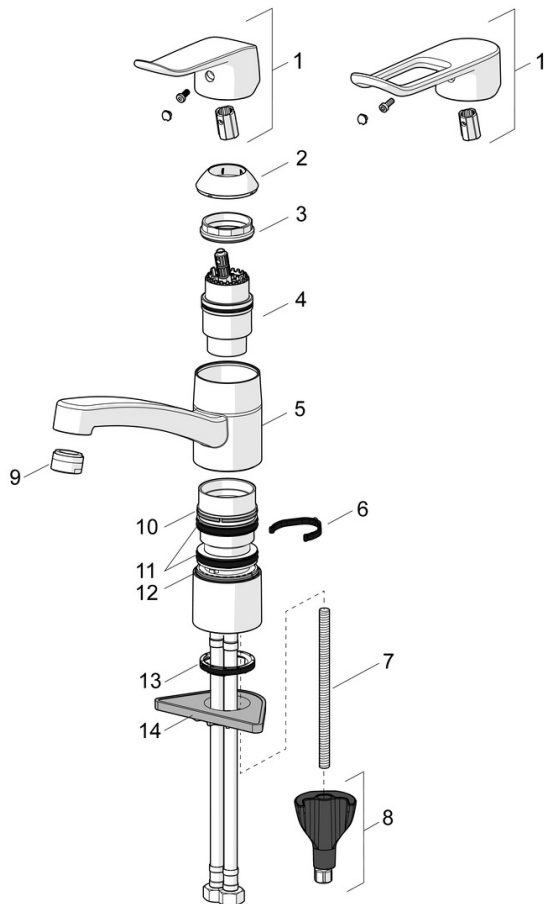
EN standard	EN 817
Noise class	I (ISO 3822)

Approvals and Declarations

ABP	P-IX 29754/IA
Declaration of conformity	DoC
EPD	S-P-06391



Spare parts



SP46102206

	Name	Code
01	Lever, L=136	59914719
01	Long lever, L=162	59914716
02	Covering cap Discontinued	59914482
03	Tightening nut, M42x1.5, SW 38	59914128
04	Cartridge, 4.0 Classic	59914129
05	Spout, L=210 Discontinued	59914730
05	Spout, L=132 Discontinued	59914483
06	Spout overturning stopper, 40°-80°	59914540
06	Spout overturning stopper, 120°	59914489
07	Fixing screw, M8x1, L=130	59914474
08	Fixing set	59914475
09	Aerator, M24x1 STD HC B	59905830
09	Aerator, M24x1 STD HC A	59902366
10	Bearing ring Discontinued	59914490
11	X-sealing set	59914485
12	Bearing ring Discontinued	59914486
13	Bottom seal	59914591
14	Supporting plate	59910008
N.I.	Flexible pipe, L=475, G3/8-M10x1 LH Discontinued	59914468