

EAN: 4057304019661
static.hansa.com/46132009



Care Hybrid series is giving you a whole new modern design to fit into any kitchen. Lever can easily be moved by using the backside of the hand and with our intelligent touchless functions build into same faucet it also supports hygiene operation without any touch needed.

Bluetooth Hybrid faucet with Laminar Flow aerator.

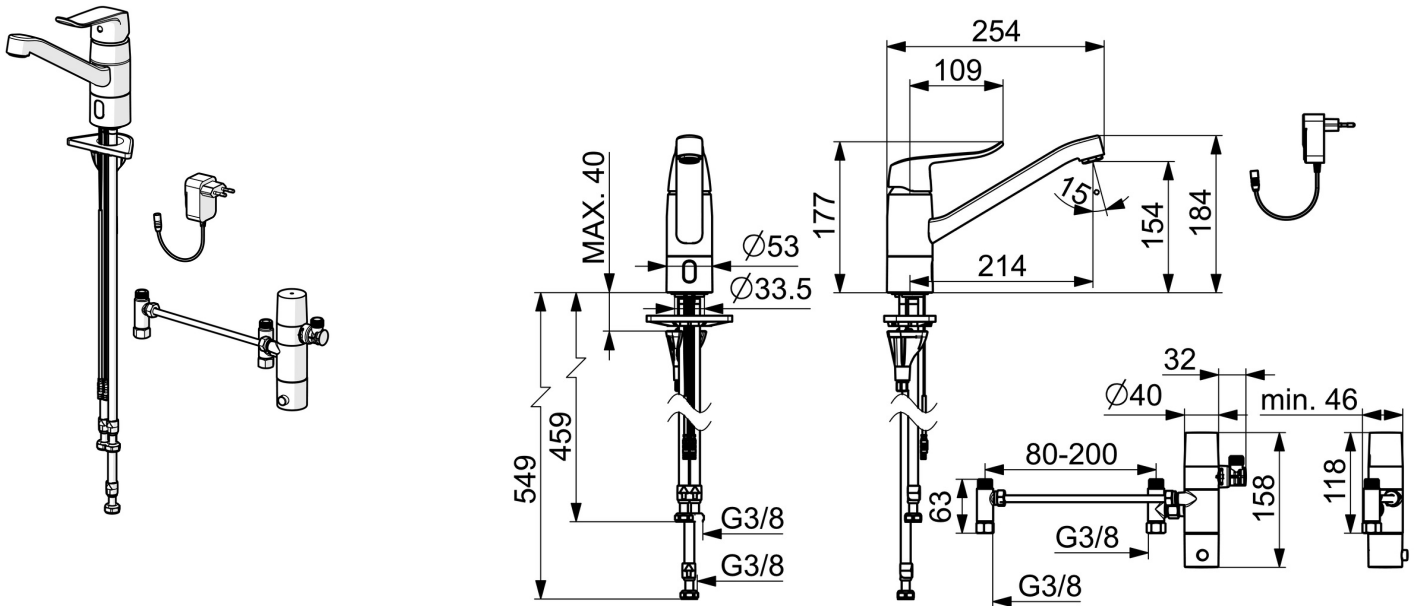
Easy grip temperature lever for good grip and easy adjustment.

SMART intelligent bluetooth sensor with 3 optical lenses for improved performance supported by app connection for personalized and easy adjustment of sensor settings.

Antiscalding protection for Sensor operation.

Easy installation due to fast and easy 3S installation system.

- Public & Semi-public, Health & Care
- Hybrid, Plug transformer, Bluetooth®
- Deck mounted
- Chrome
- Swivel spout, Swivel range limiting option, Profile construction
- Laminar stream
- Single operating lever/handle, Hot/Cold symbols
- Limitation option for maximum temperature and flow-rate
- \varnothing 40 mm ceramic cartridge for flow and temperature control
- Advanced PSD sensor, Solenoid valve, Power supply
- Flexible inlet pipes
- Inner body made of DZR brass, 3S-installation system for safe and simple mounting



Technical data

Flow properties

Flow-rate at 3 bar	11.4 l/min
Pressure loss with flow (0.2 l/s)	3.2 bar

Technical properties

DN-size (nominal dimension)	DN6
Hot water supply	max. +70°C
Working pressure	0.5-10 bar
Connection size	G3/8
Projection	214 mm
Backflow prevention (EN1717)	AA
Material	Brass

Software settings

Automatic flush	off (off/1-120 h)
Automatic flush period	30 s (1-1800 s)
Max. flow period	10 s (1 - 1800 s)

Electronic properties

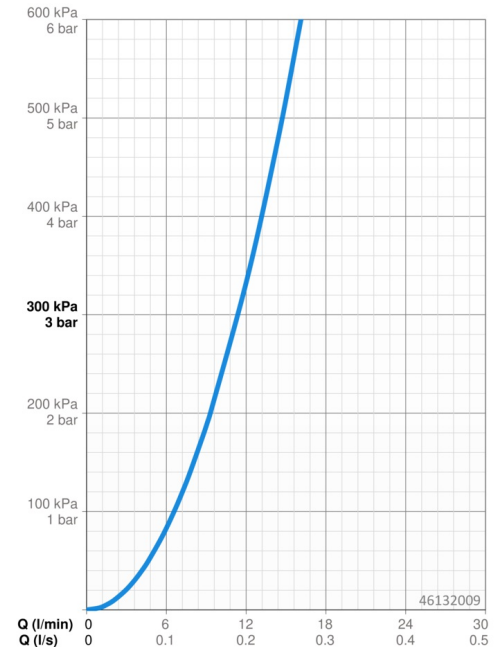
Electrical Connection	230 / 9 V
Bluetooth version	5.x (D060576)

Regulations

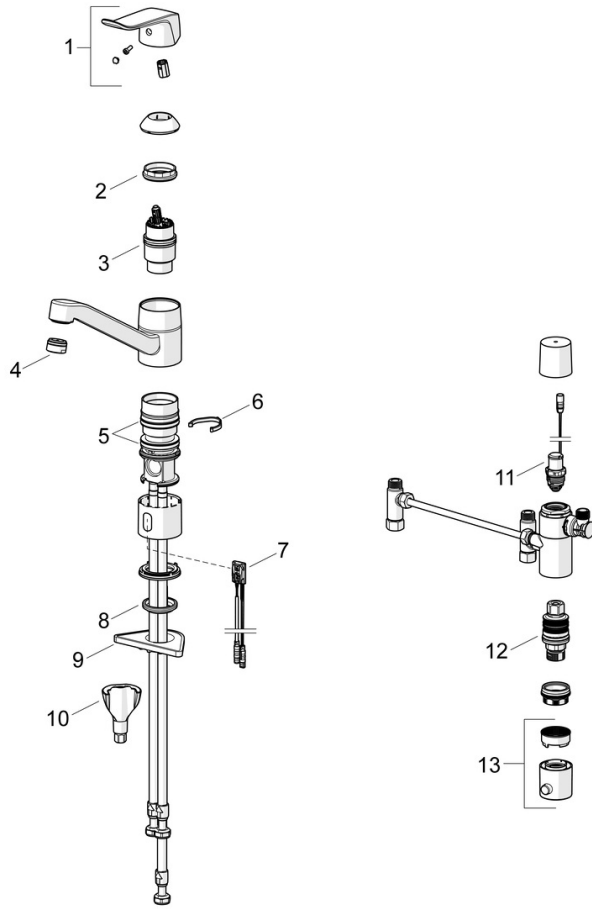
EU Directives	C € Radio Equipment Directive 2014/53/EU , Low Voltage Directive 2014/35/EU , EMC Directive 2014/30/EU , RoHS Directive 2011/65/EU
EN standard	EN 817, EN 15091, ETSI EN 301 489-1 V1.9.2 , ETSI EN 300 328 v2.2.2 , EN 61000-6-1:2007 , EN 61000-6-3:2007+A1:2011+AC:2012 , EN 60335-1:2012+A11+A13+A14+A15:2021, Part 19.11.4
Noise class	I (ISO 3822)
Protection class	IP 55 / transformer IP 20

Approvals and Declarations

Declaration of conformity	RED
EPD	S-P-07817



Spare parts



SP46132209

	Name	Code
01	Lever, L=136	59914719
02	Tightening nut, M42x1.5, SW 38	59914128
03	Cartridge, 4.0 Classic	59914129
04	Aerator, M24x1 STD PL HC A Laminar (2013-)	59914054
05	X-sealing set	59914485
06	Spout overturning stopper, 120°	59914489
06	Spout overturning stopper, 40°-80°	59914540
07	Sensor, 3/9 V, Bluetooth	1014212V
08	Bottom seal	59914591
09	Supporting plate	59910008
10	Fixing set	59914475
11	Pilot valve, 3 V	59914338
12	Thermostatic cartridge, 3.4	59914114
13	Temperature control handle	602062V
N.I.	Battery, 1.5 V AA Lithium	59914136