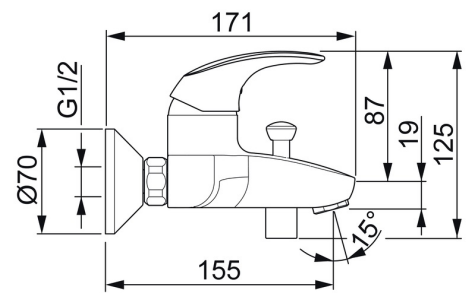
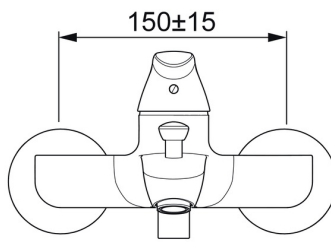
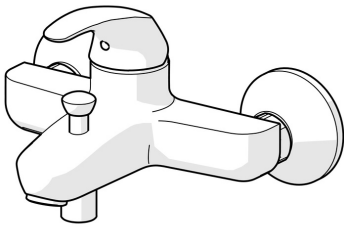


EAN: 4015474238640  
[static.hansa.com/46112103](https://static.hansa.com/46112103)



- Bathtub & Shower
- Single-lever
- Wall mounted
- Chrome
- Fixed spout
- Hot/Cold symbols, Single operating lever/handle
- Pull operated diverter
- Limitation option for maximum temperature and flow-rate, Adjustable hot water stop (included, retrofittable)
- Non-return valve(s),  $\varnothing$  35 mm ceramic cartridge for flow and temperature control
- Eccentric coupling(s), Cover plate(s), Silencer(s)
- Inner body made of DZR brass
- protected against back-flow in domestic use (according to DIN EN 1717)



## Technical data

### Flow properties

Flow-rate at 3 bar	<b>20.4 / 19.2 l/min</b>
Pressure loss with flow (0.3 l/s)	<b>2.5 bar</b>

### Technical properties

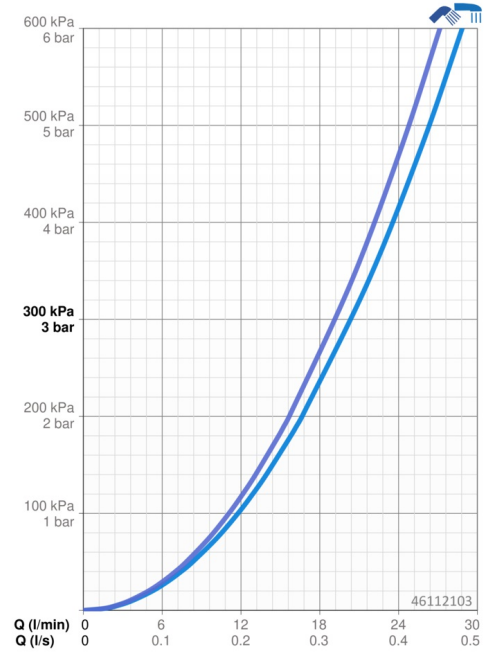
DN-size (nominal dimension)	<b>DN15</b>
Hot water supply	<b>max. +90°C</b>
Working pressure	<b>0.5-10 bar</b>
Connection size	<b>G3/4</b>
Installation width	<b>150 ± 15 mm</b>
Projection	<b>155 mm</b>
Backflow prevention (EN1717)	<b>EB</b>
Material	<b>Brass</b>

### Regulations

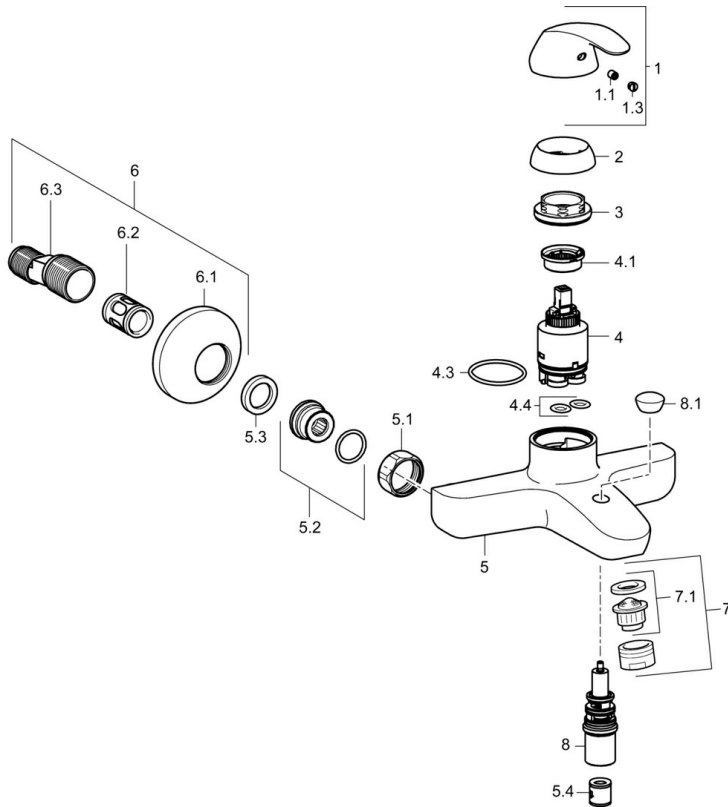
EN standard	<b>EN 817</b>
Noise class	<b>PA-IX 19664/IDB</b>

### Approvals and Declarations

KIWA	<b>K6116/08</b>
Declaration of conformity	<b>DoC</b>



## Spare parts



### SP46112103

	Name	Code
1	Lever	59913678
1.1	Screw, M5x8, SW2.5	59904755
1.3	Symbol plug Grey	59912112
2	Covering cap, 33x3 mm	59912504
3	Tightening nut, M40x1	1003409V
4	Cartridge, 3.5 Eco	59912324
4	Cartridge, 3.5 Classic	59913075
4.1	Temperature adjustment limiter	59912325
4.3	O-ring, d 28.24x2.62 Discontinued	59912590
4.4	O-ring, d 10.10x1.60 Discontinued	59905072
5.1	Connection nut, G3/4, AF30	59902230
5.2	Connector	59913400
5.3	Retaining ring, 23.9x15.2x2	59902689
5.4	Non-return valve	59905714
6	Eccentric, G3/4xG1/2	59904793
6.1	Cover flange	59904796
6.2	Silencer	59904792
6.3	Eccentric connector, G3/4xG1/2, DN15	59910254
7	Aerator, M24x1 B	59905872
7.1	Aerator, M22/M24	59905873
8	Diverter	59912706
8.1	Diverter knob Discontinued	59913405
N.I.	Key, SW30/34	59912108