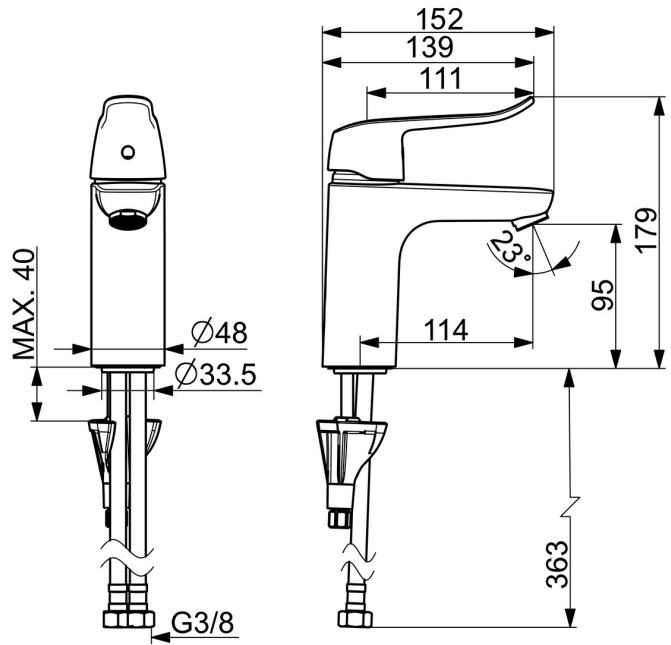
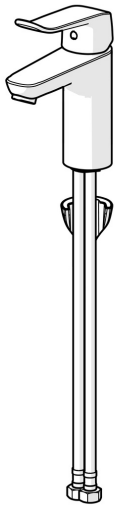


EAN: 4057304010750  
[static.hansa.com/46022206](https://static.hansa.com/46022206)



- Washbasin
- Health & Care
- Single-lever
- Deck mounted
- Chrome
- Fixed spout
- PCA® - constant flow rate regardless of pressure variations, Standard aerator
- Long shape, Single operating lever/handle, Hot/Cold symbols
- Limitation option for maximum temperature and flow-rate, Adjustable hot water stop (included, retrofittable)
- ø 40 mm ceramic cartridge for flow and temperature control
- Flexible inlet pipes
- Inner body made of DZR brass, 3S-installation system for safe and simple mounting
- Without pop-up waste, Without draw-rod opening



## Technical data

### Flow properties

Flow-rate at 3 bar (with flow controller)	<b>6.0 l/min</b>
Pressure loss with flow (0.1 l/s)	<b>2 bar</b>

### Technical properties

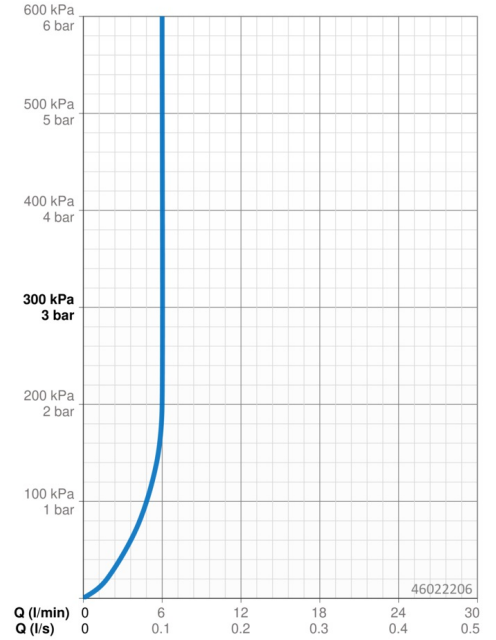
DN-size (nominal dimension)	<b>DN15</b>
Hot water supply	<b>max. +70°C</b>
Working pressure	<b>0.5-10 bar</b>
Connection size	<b>G3/8</b>
Projection	<b>114 mm</b>
Backflow prevention (EN1717)	<b>AA</b>
Material	<b>Brass</b>

### Regulations

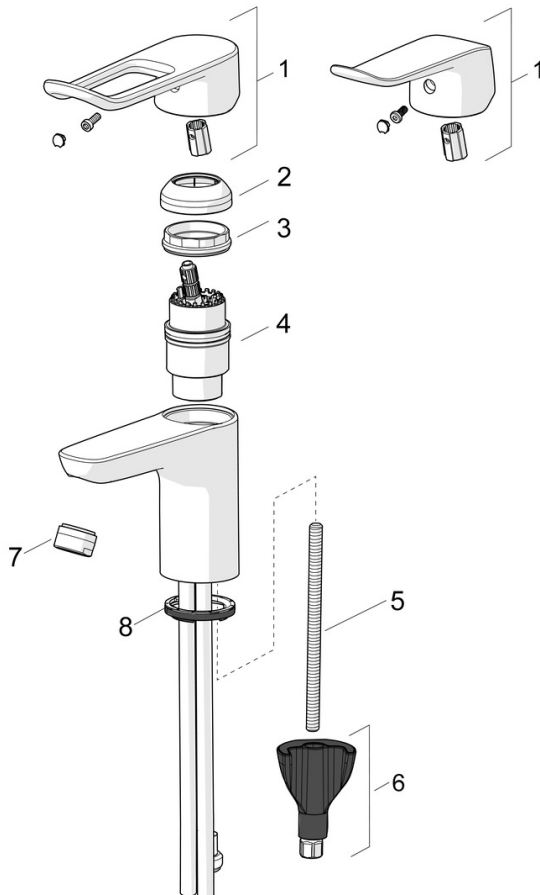
EN standard	<b>EN 817</b>
Noise class	<b>I (ISO 3822)</b>

### Approvals and Declarations

DVGW	<b>DW-6506CS0581</b>
ABP	<b>P-IX 29684/IA</b>
Declaration of conformity	<b>DoC</b>
EPD	<b>S-P-06391</b>



## Spare parts



### SP45022186

Name	Code
01 Lever, L=136	59914719
01 Long lever, L=162	59914716
02 Covering cap	59914478
03 Tightening nut, M42x1.5, SW 38	59914128
04 Cartridge, 4.0 Classic	59914129
05 Fixing screw, M8x1, L=130	59914474
06 Fixing set	59914475
07 Aerator, M24x1, 6 l/min	59914476
07 Aerator, M24x1 STD PL HC A Laminar (2013-)	59914054
08 Bottom seal	59914591
N.I. Pop-up waste, (2019-)	59914764
N.I. Shower hose, L=1750 Satin	54120300
N.I. Hand shower holder	04430100
N.I. Bidetta hand shower	59914162