

EAN: 4057304010149
static.hansa.com/45530080



- Bathroom
- Chrome
- Limitation option for maximum temperature and flow-rate, Adjustable hot water stop (included, retrofittable)
- \varnothing 40 mm ceramic cartridge for flow and temperature control

Technical data

Technical properties

DN-size (nominal dimension)	DN15
Working pressure	0.5-10 bar

Regulations

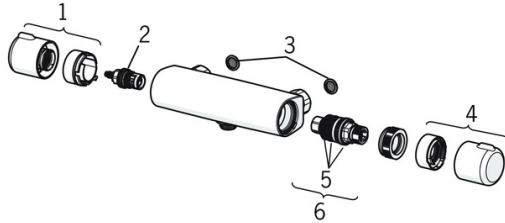
EN standard	EN 817
-------------	---------------

Approvals and Declarations

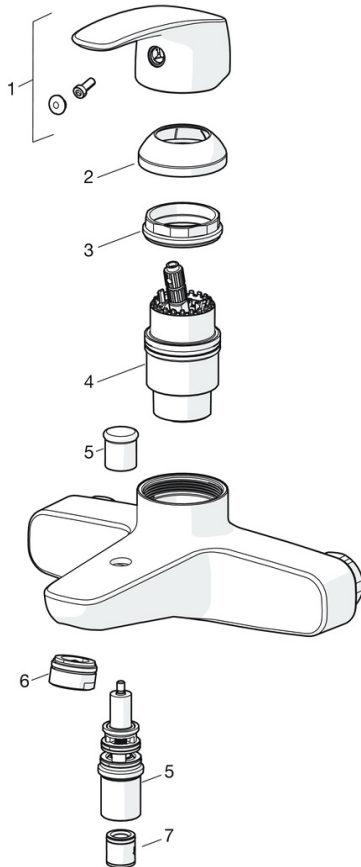
KIWA	K6116/08
DVGW	DW-6506CS0580
ABP	PA-IX 38490/IB
Declaration of conformity	DoC

Spare parts

SP58150171

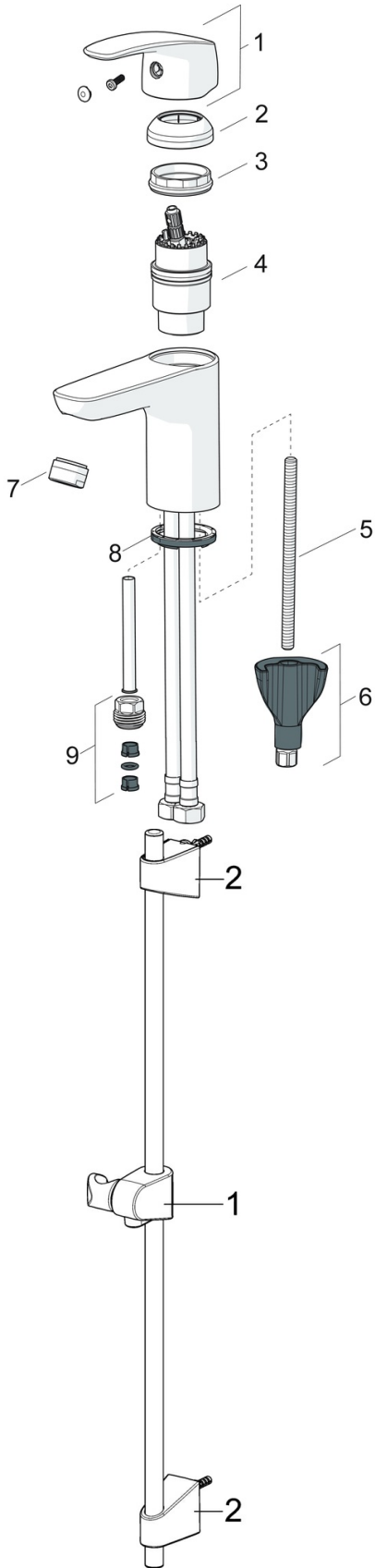


	Name	Code
1	Flow control handle	59914395
2	Headpart, G1/2	59914111
3	Filter sealing, G3/4	59911076
4	Temperature control handle	59914396
5	O-ring kit	59914113
6	Thermostatic cartridge, 3.4	59914114
N.I.	Tightening nut, M36x1.5, SW38	59914319
N.I.	Eccentric, G3/4xG1/2	59904793
N.I.	Combiner	59914472



SP45112183

	Name	Code
01	Lever	59914453
02	Covering cap Discontinued	59914454
03	Tightening nut, M42x1.5, SW 38	59914128
04	Cartridge, 4.0 Classic	59914129
05	Diverter	59912706
06	Aerator, M24x1 C	59913401
07	Non-return valve	59905714



SP45052283

	Name	Code
01	Lever	59914453
02	Covering cap	59914478
03	Tightening nut, M42x1.5, SW 38	59914128
04	Cartridge, 4.0 Classic	59914129
05	Fixing screw, M8x1, L=130	59914474
06	Fixing set	59914475
07	Aerator, M24x1, 6 l/min	59914476
08	Bottom seal	59914591
09	Nipple Discontinued	59914133
N.I.	Flexible pipe, L=375, G3/8-M10x1	59914188
N.I.	Pop-up waste, (2019-)	59914764

SP44780113

	Name	Code
01	Slide for shower rail	59914392
02	Wall support	59914394