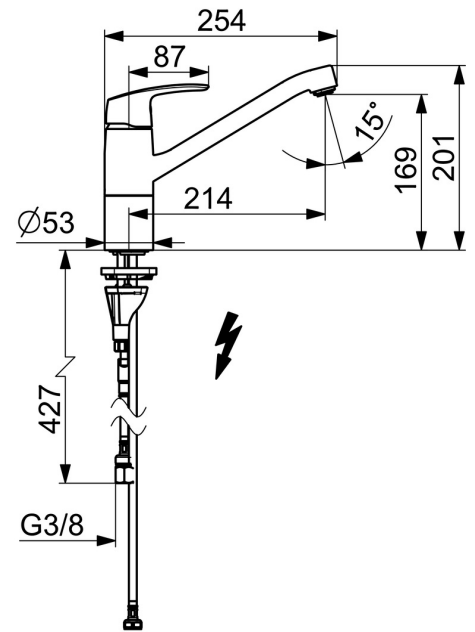
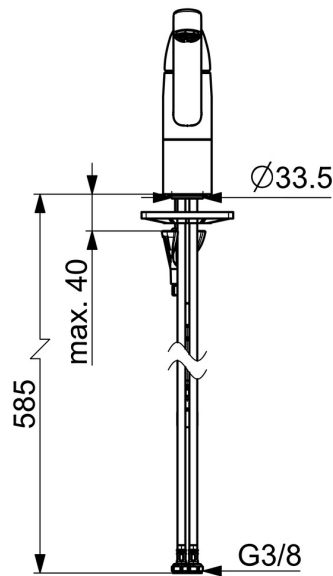
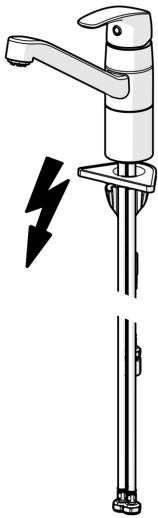


EAN: 4057304014734
static.hansa.com/45381193



- Kitchen
- Single-lever, Low pressure
- Deck mounted
- Chrome
- Swivel spout, Swivel range limiting option, Profile construction
- Laminar stream
- Single operating lever/handle, Hot/Cold symbols
- Limitation option for maximum temperature and flow-rate
- \varnothing 40 mm ceramic cartridge for flow and temperature control
- Flexible inlet pipes
- Inner body made of DZR brass, 3S-installation system for safe and simple mounting
- grease without Silicon



Technical data

Flow properties

Flow-rate at 3 bar **6.0 l/min**

Technical properties

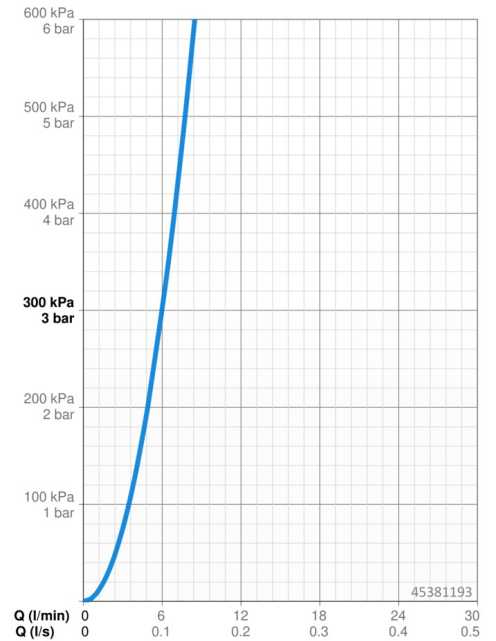
DN-size (nominal dimension) **DN15**
 Hot water supply **max. +70°C**
 Working pressure **0.5-5 bar**
 Connection size **G3/8**
 Projection **214 mm**
 Backflow prevention (EN1717) **AA**
 Material **Brass**

Regulations

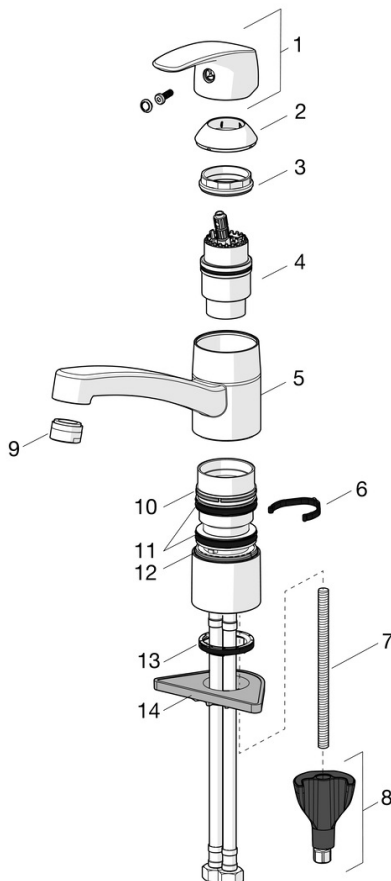
EN standard **EN 817**
 Noise class **I (ISO 3822) Oras lab.**

Approvals and Declarations

Declaration of conformity **DoC**



Spare parts



SP45082283

	Name	Code
01	Lever	59914453
02	Covering cap Discontinued	59914482
03	Tightening nut, M42x1.5, SW 38	59914128
04	Cartridge, low pressure, 4.0	59914500
04	Cartridge, 4.0 Classic	59914129
05	Spout, L=210 Discontinued	59914730
06	Spout overturning stopper, 120°	59914489
06	Spout overturning stopper, 40°-80°	59914540
07	Fixing screw, M8x1, L=130	59914474
08	Fixing set	59914475
09	Aerator, M24x1 Discontinued	59914461
09	Aerator, M24x1 Discontinued	59914501
09	Aerator, M24x1 A, low pressure	59902692
10	Bearing ring Discontinued	59914490
11	X-sealing set	59914485
12	Bearing ring Discontinued	59914486
13	Bottom seal	59914591
14	Supporting plate	59910008