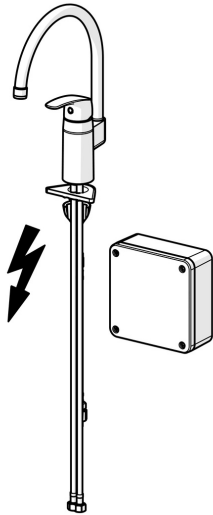


EAN: 4057304014956
static.hansa.com/45302203



- Kitchen
- Single-lever, Low pressure, Bluetooth®
- Deck mounted
- Chrome
- Swivel spout, Swivel range limiting option, Profile construction
- Standard aerator
- Single operating lever/handle, Hot/Cold symbols
- Limitation option for maximum temperature and flow-rate
- ø 40 mm ceramic cartridge for flow and temperature control
- Solenoid valve, External control unit, Power supply
- Flexible inlet pipes
- 3S-installation system for safe and simple mounting, Software settings adjustable via App
- grease without Silicon



Technical data

Flow properties

Eco-flow at 3 bar	9.0 l/min
Flow-rate at 3 bar	16.2 l/min
Pressure loss with flow (0.2 l/s)	1.7 bar

Technical properties

Hot water supply	max. +70°C
Working pressure	0.5-5 bar
Connection size	G3/8
Projection	178 mm
Backflow prevention (EN1717)	AA
Material	Brass

Software settings

Automatic flush	24 h (off/1-120 h)
Automatic flush period	30 s (1-1800 s)

Electronic properties

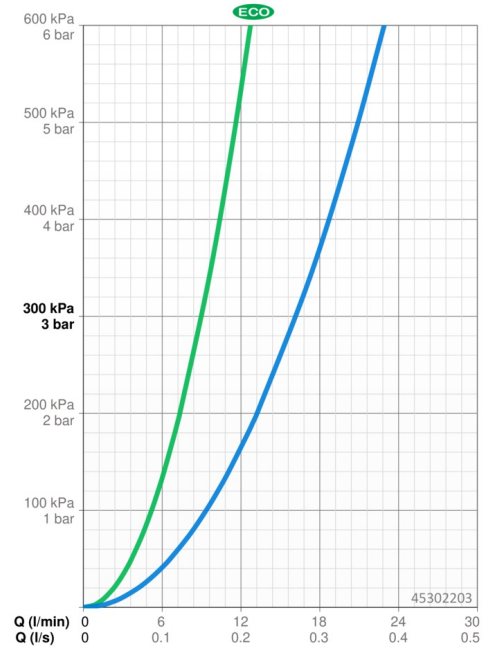
Electrical Connection	230 / 12 V
Bluetooth version	5.x (D060576)

Regulations

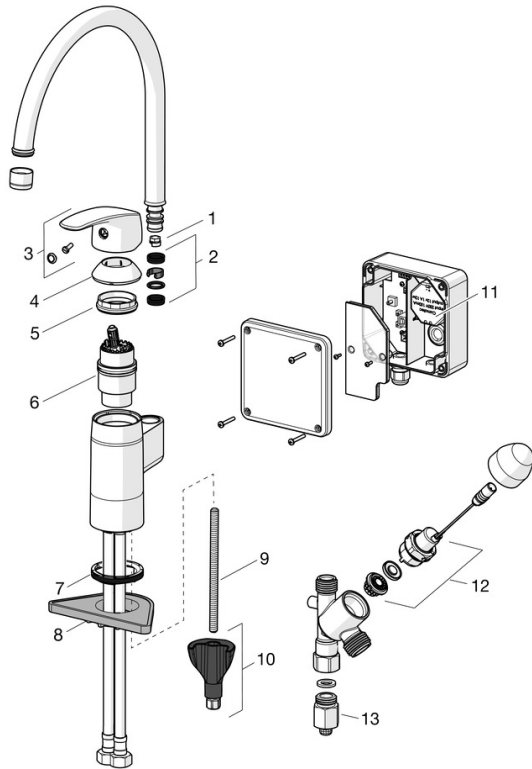
EU Directives	C € Radio Equipment Directive 2014/53/EU , Low Voltage Directive 2014/35/EU , EMC Directive 2014/30/EU , RoHS Directive 2011/65/EU
EN standard	EN 817, ETSI EN 301 489-1 V1.9.2 , ETSI EN 300 328 v2.2.2 , EN 61000-6-1:2007 , EN 61000-6-3:2007+A1:2011+AC:2012 , EN 60335-1:2012+A11+A13+A14+A15:2021, Part 19.11.4
Noise class	I (ISO 3822)
Protection class	IP 55

Approvals and Declarations

Declaration of conformity	RED
---------------------------	------------



Spare parts



SP45302203

	Name	Code
01	Spout overturning stopper, 120° Discontinued	59914429
01	Spout overturning stopper, 60° / 0°	59914264
02	Sealing kit for spout	59914266
03	Lever	59914453
04	Covering cap Discontinued	59914482
05	Tightening nut, M42x1.5, SW 38	59914128
06	Cartridge, low pressure, 4.0	59914500
07	Bottom seal	59914591
08	Supporting plate	59910008
09	Fixing screw, M8x1, L=130	59914474
10	Fixing set	59914475
11	Transformer, 230/12 VDC 1A	64990100
12	Solenoid valve complete, 3 V	59914125
13	Flow limiter, 5 L/min	59914522